

ProConnect[®] CS Pump Lower

3A8598B

EN

*For use with polyurethane foam, polyurea, and similar non-flammable materials.
Compatible only with T4 air motors and E1 electric motors. For professional use only.*

Not approved for use in European explosive atmospheres.

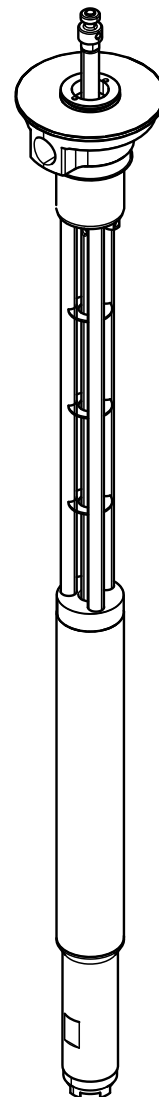
See page 2 for model information.

315 psi (2.17 MPa, 21.7 bar) Maximum Fluid Working Pressure



Important Safety Instructions

Read all warnings and instructions in this manual before using the equipment.
Save these instructions.



ti40148a

Contents

Related Manuals	2	Technical Specifications	9
Models	2	Recycling and Disposal	9
Typical Installation for Multiple Pump Lowers ...	3	End of Product Life	9
Parts	4	California Proposition 65	9
Pump Lower (273295)	4	Graco Standard Warranty	10
Accessories	6	Graco Information	10
Dimensions	8		

Related Manuals

Manual in English	Description
3A8502	T4 Pneumatic Transfer Pump - Repair and Parts
3A8503	E1 Electric Transfer Pumps - Repair and Parts

Models

Part	Pump Material
273295	Carbon Steel

Typical Installation for Multiple Pump Lowers

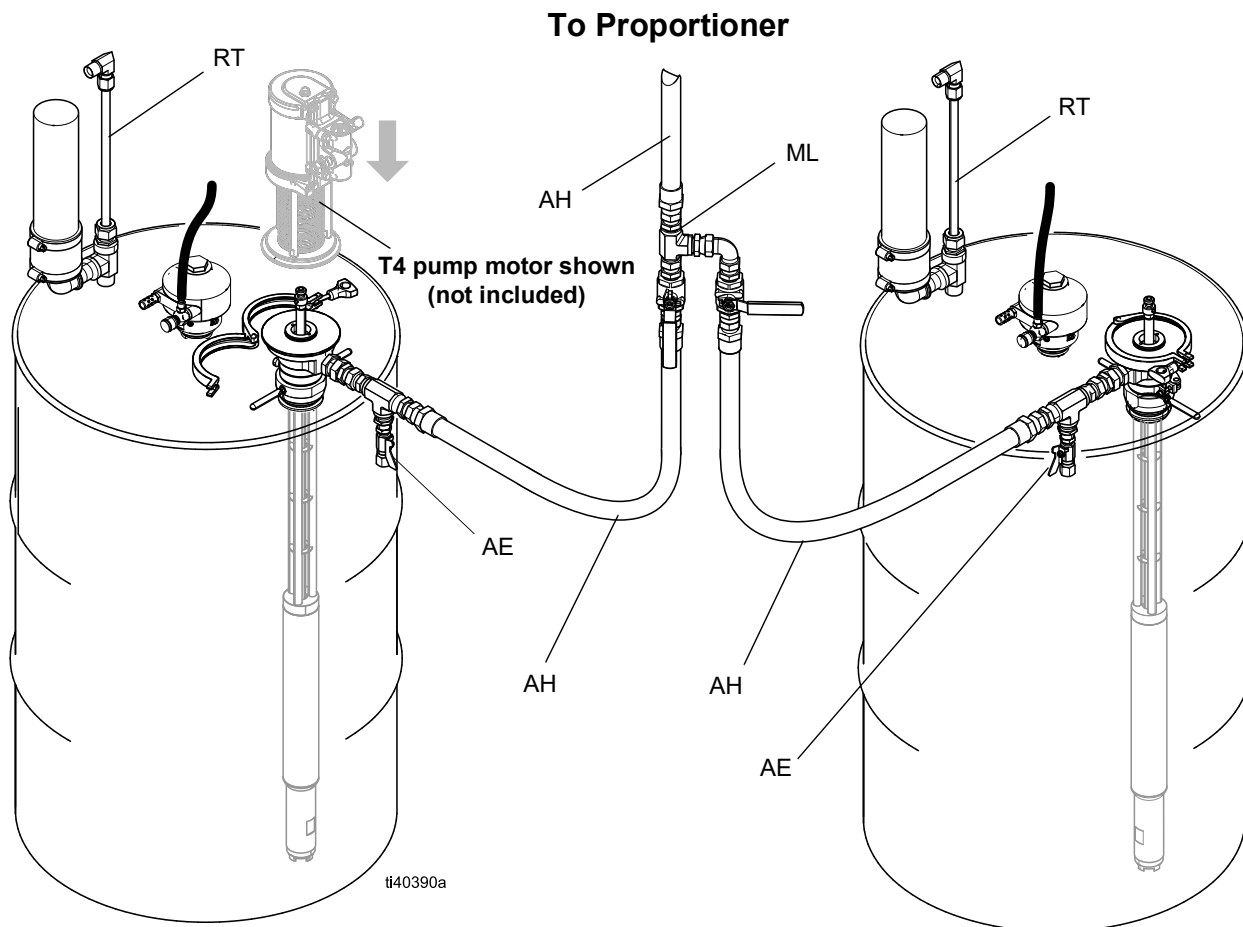
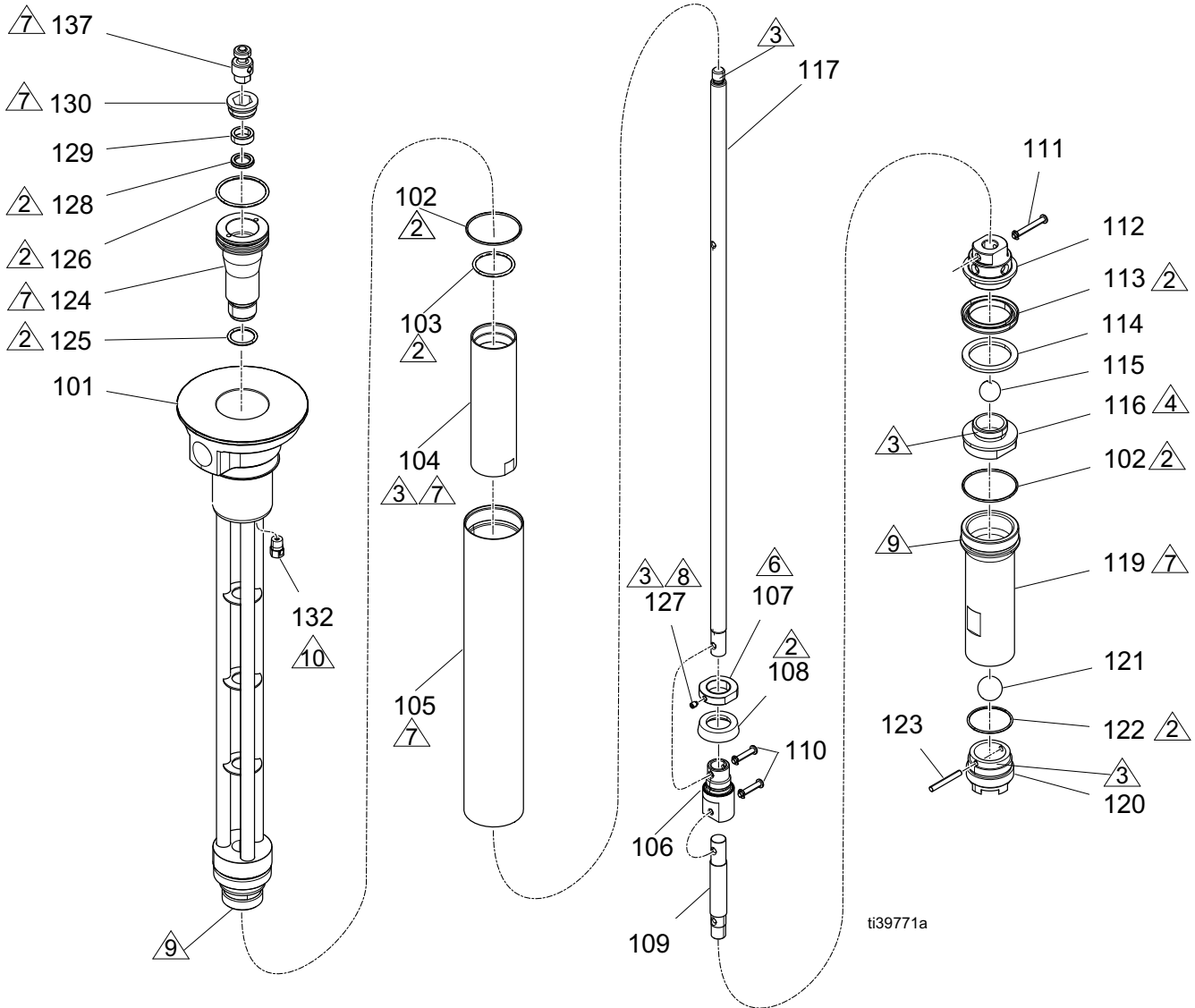


FIG. 1: Typical Multiple Pump Lowers Installation

Ref.	Description
AE	Fluid Drain Pump Lower
AH	Grounded Fluid Hose
AP	ProConnect Pump Lower
ML	Multiple Pump Lowers Fluid Kit
RT	Return Tube Kit

Parts

Pump Lower (273295)



ti39771a

- Apply lubricant.
- Apply removable medium strength thread-locking liquid.
- Torque to 44-55 ft-lb (61.0-74.5 N•m).
- Torque to 15-20 ft-lb (20.3-33.8 N•m).
- Torque to 10-12 ft-lb (13.5-16.2 N•m).
- Torque to 20-30 ft-lb (27.1-40.6 N•m).
- Apply low strength thread-locking liquid.
- Apply pipe sealant.

Pump Lower (273295) Parts List

Ref.	Part	Description	Qty.	Ref.	Part	Description	Qty.
101	-----	BODY, pump	1	120	24T262	VALVE, intake	1
102‡	106258	PACKING, o-ring	2	121‡	101917	BALL, bearing, .875 dia. 304 ss	1
103‡	113944	PACKING, o-ring	1	122‡	103414	PACKING, o-ring	1
104	18A413	TUBE, inner fluid, short	1	123‡	164250	PIN, ball stop	1
105	18A411	TUBE, outer fluid, short	1	124	-----	FLANGE, mounting	1
106	17R427	PISTON, upper fluid	1	125‡	127315	O-RING, #118, fx75	1
107	17R291	COLLAR, retaining	1	126‡	-----	O-RING	1
108‡	15J562	PACKING, piston cup	1	127	101194	SCREW, set	1
109	18A415	PISTON, lower, connecting rod	1	128†	-----	PACKING, u-cup	1
110‡	120294	PIN, clevis, 3/16 dia. x 1	2	129†	-----	BUSHING, piston	1
111‡	120295	PIN, clevis, 3/16 dia. x 1.5	1	130	-----	RETAINER, bushing	1
112	17R293	HOUSING, piston	1	132	26D007	VALVE, relief	1
113‡	15J565	PACKING, u-cup	1	137	-----	ADAPTER, ball screw	1
114‡	15J566	RING, wear	1	† Parts included in upper seal kit 26D224 (purchase separately).			
115‡	103462	BALL, sst, 715	1	‡ Parts included in lower seal kit 26D225 (purchase separately).			
116	-----	VALVE, piston	1				
117	-----	PISTON, upper, connecting rod	1				
119	18A409	TUBE, lower intake, short	1				

Accessories

To ensure maximum pump performance, make sure all accessories are properly sized to meet your system requirements.

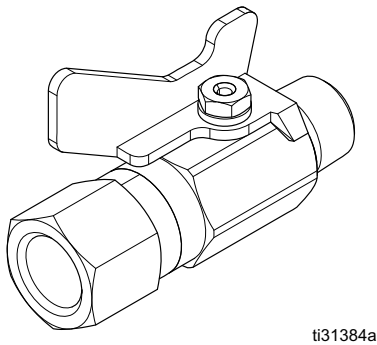
Fluid Line

Fluid drain valve (AE): Required in your system to relieve fluid pressure in the fluid supply lines. Install the drain valve so that it points down and the handle points up when the valve is opened.

Fluid Drain Valve (not included)

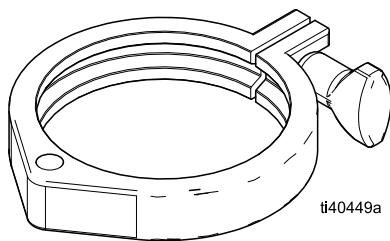
Maximum Working Pressure: 500 psi (3.5 MPa, 35 bar)

Part	Description	Qty.
208630	VALVE, ball; 1/2 npt(m) x 3/8 npt(f) for non-corrosive fluids; carbon steel and PTFE	1
237534	VALVE, ball; 3/8 npt(m) x 3/8 npt(f) for corrosive fluids; SST and PTFE	1



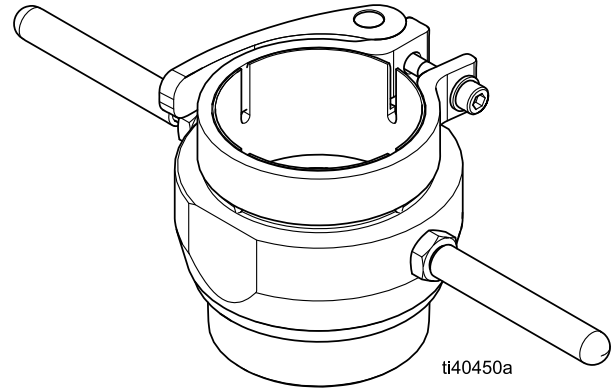
Clamp (not included)

Part	Description	Qty.
510490	CLAMP, pump	1



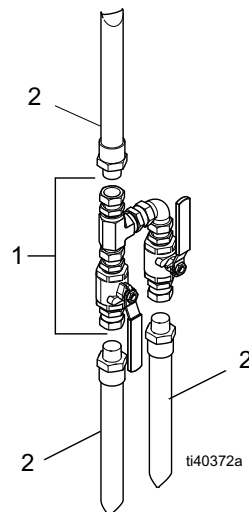
Bung Adapter Kit (not included)

Part	Description	Qty.
25B395	KIT, adapter, bung	1



Multiple Lower Fluid Kit (not included)

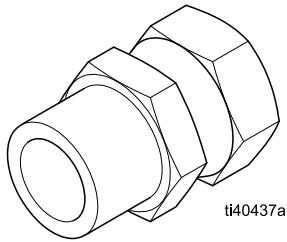
Ref.	Part	Description	Qty.
1	26D219	Fluid Coupling Kit	1
2	217382	Fluid Supply Hose (10 ft)	1



NOTE: For Multiple Pump Lowers Fluid Kit installation, see FIG. 1 on page 3.

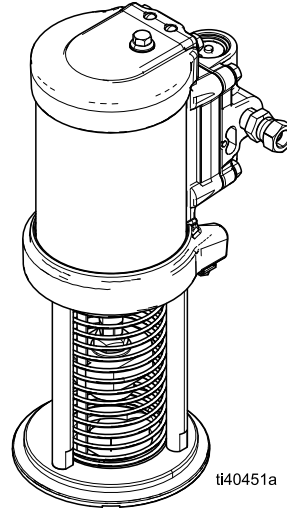
Swivel Fitting (not included)

Part	Description
157785	FITTING, swivel



T4 Pneumatic Air Motor (not included)

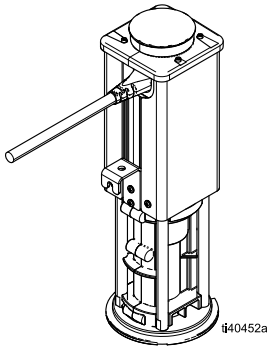
Qty.	Ref.	Description	Qty.
1	273294	KIT, air motor, T4	3



E1 Motor Kit with Power Cable (not included)

Part	Description
25T322	KIT, motor, E1, with power cable

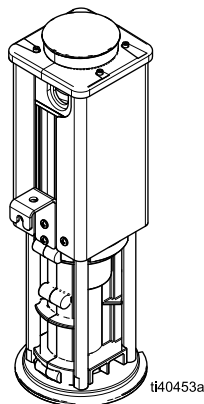
Qty.
1



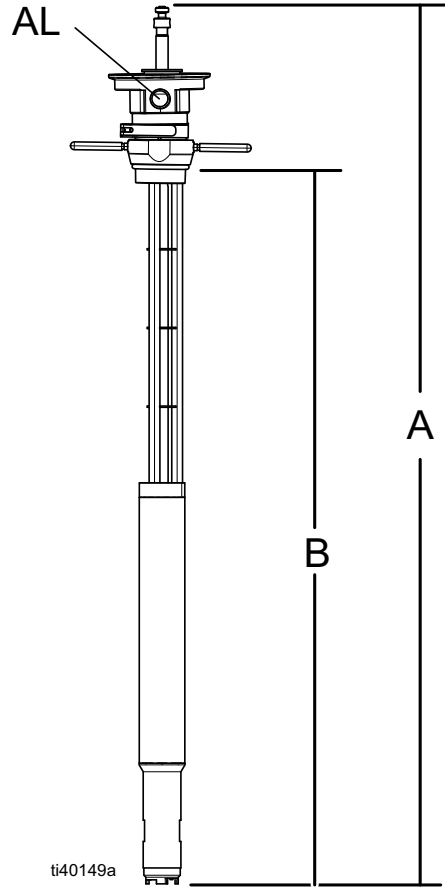
E1 Motor Kit without Power Cable (not included)

Part	Description
26D009	KIT, motor, E1, without power cable

Qty.
1



Dimensions



Ref.	Dimension	Measurement
A	Overall Length	38.9 in. (98.8 cm)
B	Pump Length	33.9 in. (86.1 cm)
AL	Fluid Outlet	3/4 in. npt(f)

Technical Specifications

ProConnect Pump Lower		
	US	Metric
Maximum fluid working pressure	315 psi	2.17 MPa, 21.7 bar
Maximum continuous outlet flow	4.5 gpm	17.03 lpm
Pump cycles per 1 gallon (3.8 liters)	30	
Maximum recommended pump speed for continuous operation	120 cpm	
Volume per pump cycle	0.034 gallons	0.128 liters
Maximum ambient operating temperature	120° F	49° C
Maximum fluid temperature	190° F	88° C
Inlet/Outlet Sizes		
Fluid outlet size	3/4-14 in. npt (f)	
Materials of Construction		
Wetted materials on 273295	Carbon steel, stainless steel, PTFE	
Weight		
All models	15.5 lb (7.0 kg)	
Notes		
All trademarks or registered trademarks are the property of their respective owners.		

Recycling and Disposal

End of Product Life

At the end of a product’s useful life, recycle it in a responsible manner.

California Proposition 65

CALIFORNIA RESIDENTS

 **WARNING:** Cancer and reproductive harm – www.P65warnings.ca.gov.

Graco Standard Warranty

Graco warrants all equipment referenced in this document which is manufactured by Graco and bearing its name to be free from defects in material and workmanship on the date of sale to the original purchaser for use. With the exception of any special, extended, or limited warranty published by Graco, Graco will, for a period of twelve months from the date of sale, repair or replace any part of the equipment determined by Graco to be defective. This warranty applies only when the equipment is installed, operated and maintained in accordance with Graco's written recommendations.

This warranty does not cover, and Graco shall not be liable for general wear and tear, or any malfunction, damage or wear caused by faulty installation, misapplication, abrasion, corrosion, inadequate or improper maintenance, negligence, accident, tampering, or substitution of non-Graco component parts. Nor shall Graco be liable for malfunction, damage or wear caused by the incompatibility of Graco equipment with structures, accessories, equipment or materials not supplied by Graco, or the improper design, manufacture, installation, operation or maintenance of structures, accessories, equipment or materials not supplied by Graco.

This warranty is conditioned upon the prepaid return of the equipment claimed to be defective to an authorized Graco distributor for verification of the claimed defect. If the claimed defect is verified, Graco will repair or replace free of charge any defective parts. The equipment will be returned to the original purchaser transportation prepaid. If inspection of the equipment does not disclose any defect in material or workmanship, repairs will be made at a reasonable charge, which charges may include the costs of parts, labor, and transportation.

THIS WARRANTY IS EXCLUSIVE, AND IS IN LIEU OF ANY OTHER WARRANTIES, EXPRESS OR IMPLIED, INCLUDING BUT NOT LIMITED TO WARRANTY OF MERCHANTABILITY OR WARRANTY OF FITNESS FOR A PARTICULAR PURPOSE.

Graco's sole obligation and buyer's sole remedy for any breach of warranty shall be as set forth above. The buyer agrees that no other remedy (including, but not limited to, incidental or consequential damages for lost profits, lost sales, injury to person or property, or any other incidental or consequential loss) shall be available. Any action for breach of warranty must be brought within two (2) years of the date of sale.

GRACO MAKES NO WARRANTY, AND DISCLAIMS ALL IMPLIED WARRANTIES OF MERCHANTABILITY AND FITNESS FOR A PARTICULAR PURPOSE, IN CONNECTION WITH ACCESSORIES, EQUIPMENT, MATERIALS OR COMPONENTS SOLD BUT NOT MANUFACTURED BY GRACO. These items sold, but not manufactured by Graco (such as electric motors, switches, hose, etc.), are subject to the warranty, if any, of their manufacturer. Graco will provide purchaser with reasonable assistance in making any claim for breach of these warranties.

In no event will Graco be liable for indirect, incidental, special or consequential damages resulting from Graco supplying equipment hereunder, or the furnishing, performance, or use of any products or other goods sold hereto, whether due to a breach of contract, breach of warranty, the negligence of Graco, or otherwise.

FOR GRACO CANADA CUSTOMERS

The Parties acknowledge that they have required that the present document, as well as all documents, notices and legal proceedings entered into, given or instituted pursuant hereto or relating directly or indirectly hereto, be drawn up in English. Les parties reconnaissent avoir convenu que la rédaction du présente document sera en Anglais, ainsi que tous documents, avis et procédures judiciaires exécutés, donnés ou intentés, à la suite de ou en rapport, directement ou indirectement, avec les procédures concernées.

Graco Information

For the latest information about Graco products, visit www.graco.com.

For patent information, see www.graco.com/patents.

**TO PLACE AN ORDER, contact your Graco distributor or call to identify the nearest distributor.
Phone: 612-623-6921 or Toll Free: 1-800-328-0211 Fax: 612-378-3505**

*All written and visual data contained in this document reflects the latest product information available at the time of publication.
Graco reserves the right to make changes at any time without notice.*

Original instructions. This manual contains English. MM 3A8598

Graco Headquarters: Minneapolis

International Offices: Belgium, China, Japan, Korea

**GRACO INC. AND SUBSIDIARIES • P.O. BOX 1441 • MINNEAPOLIS MN 55440-1441 • USA
Copyright 2021, Graco Inc. All Graco manufacturing locations are registered to ISO 9001.**

www.graco.com
Revision B, October 2021