

# GrindLazer™

3A5929D  
EN

**For removal of materials from flat horizontal concrete and asphalt surfaces. For professional use only.**

**Models 25M992, 18B306 (China Only) - Forward Cut**

GrindLazer HP DC89 G (270 cc / 9 hp)

**Models 25M993, 18B307 (China Only) - Forward Cut**

GrindLazer HP DC1013 G (390 cc / 13 hp)

**Models 25M994 - Reverse Up-Cut (Must be used with LineDriver™)**

GrindLazer HP DC1021 G (627 cc / 21 hp Electric Start)

**Models 25N658, 18B305 (China Only) - Forward Cut**

GrindLazer HP DC1013 G DCS (390 cc / 13 hp Electric Start)

**Model 25N659 - Reverse Up-Cut (Must be used with LineDriver™)**

GrindLazer HP DC1021 G DCS (627 cc / 21 hp Electric Start)

**Related Manuals:**

Repair - 3A5919

Operation - 3A5918

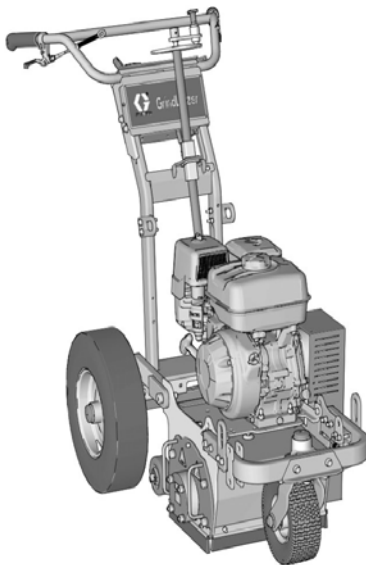
LineDriver Operation - 312540

LineDriver ES Operation, Repair, Parts - 3A6623

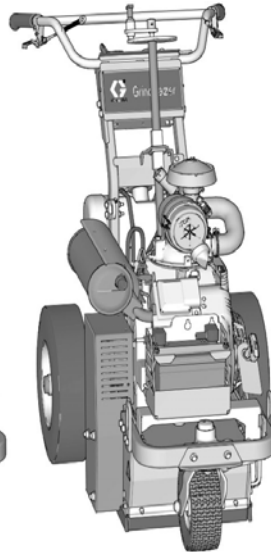


**IMPORTANT SAFETY INSTRUCTIONS**

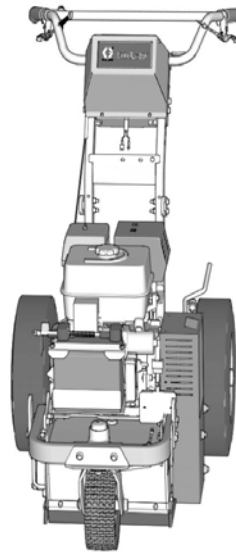
Read all warnings and instructions in this manual and in related manuals before using the equipment. Be familiar with the controls and the proper usage of the equipment. Save all instructions.



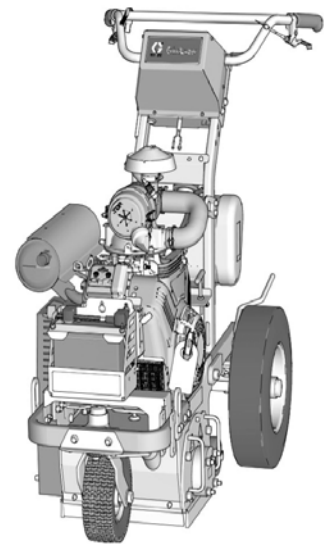
25M992 / 25M993



25M994



25N658



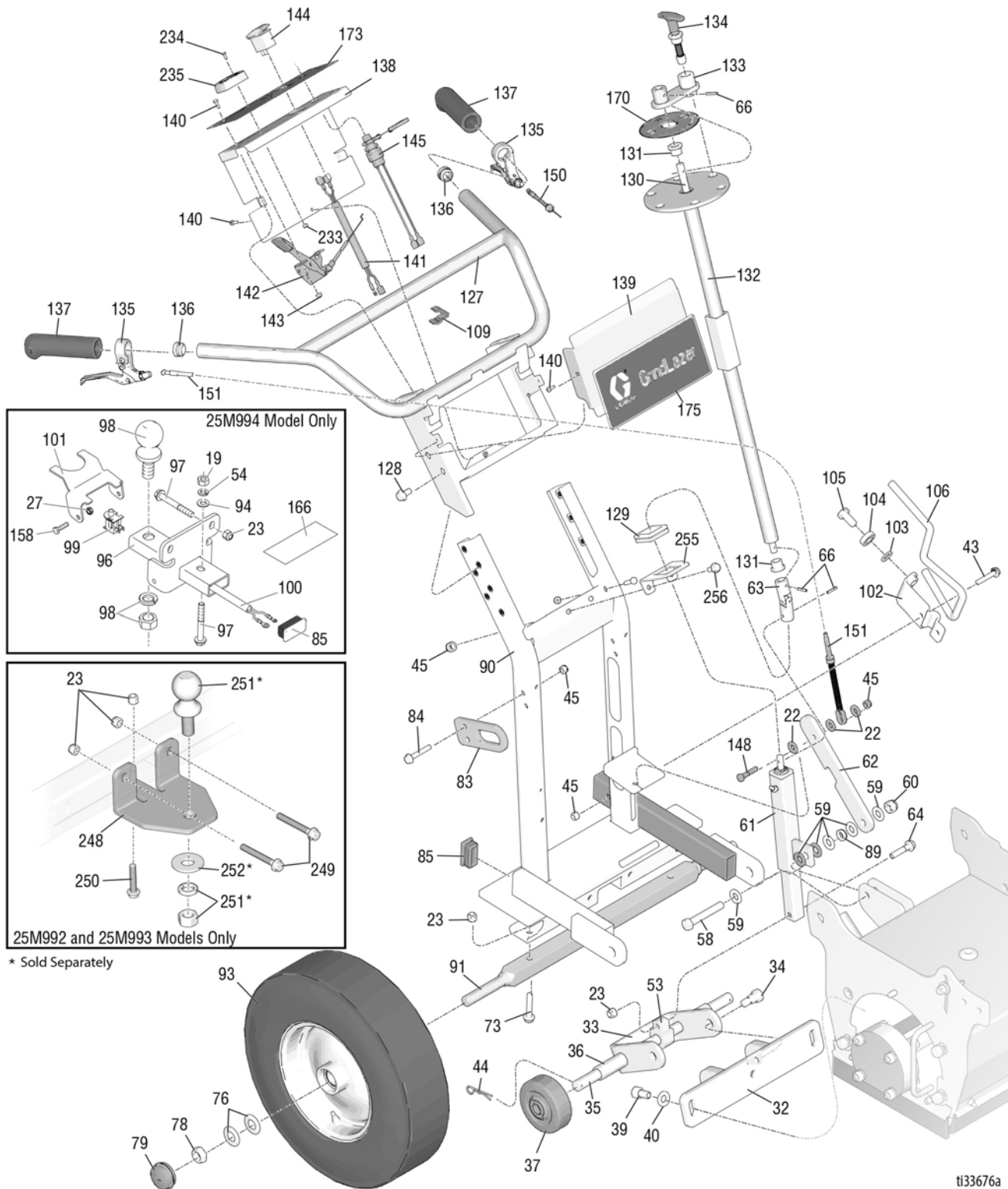
25N659

t35649a

*(Drums, cutters, and LineDriver™ sold separately)*



# Parts - 25M992, 25M993, 25M994



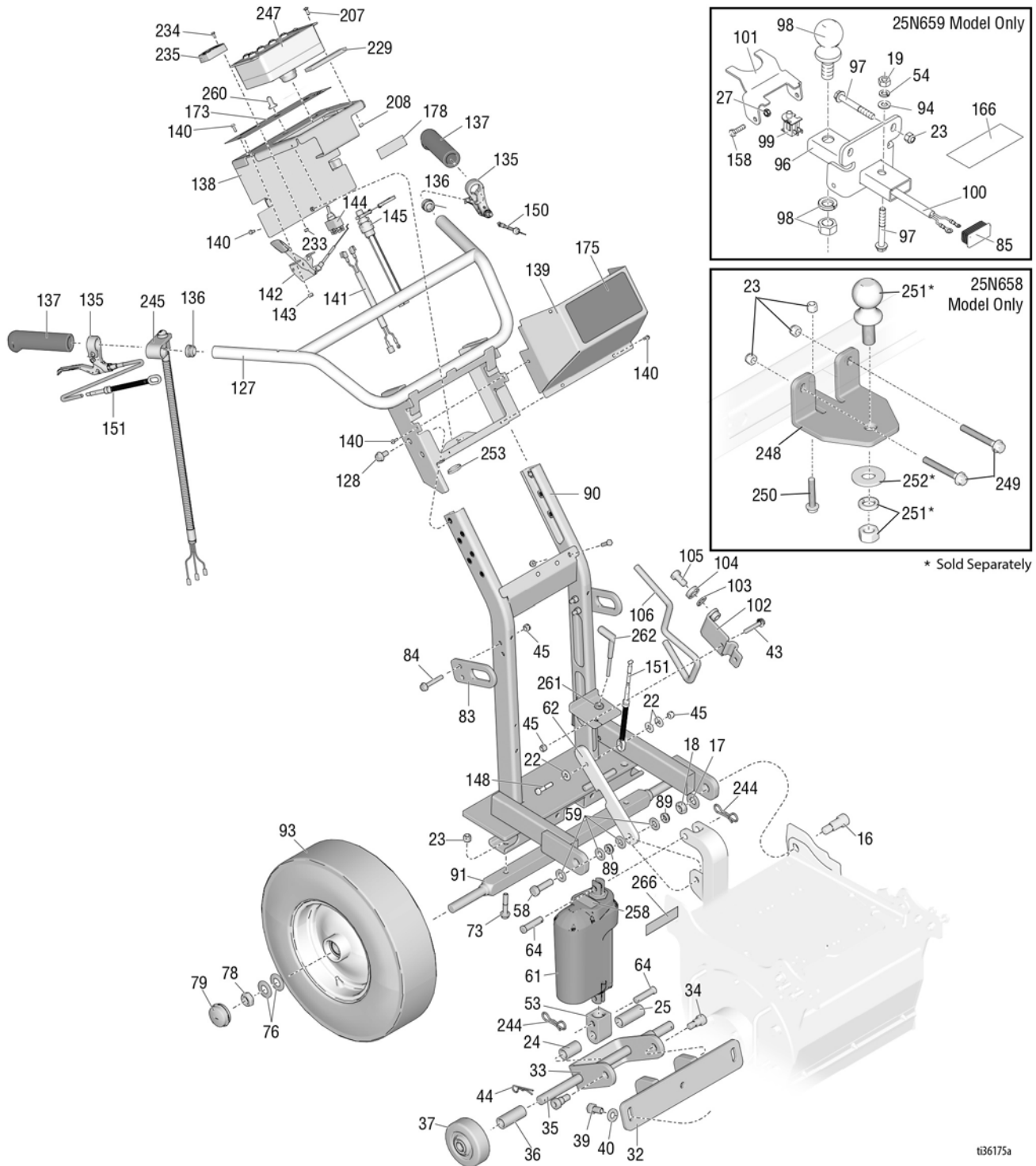
# Parts List - 25M992, 25M993, 25M994

Ref.	Part	Description	Qty.	Ref.	Part	Description	Qty.
19	100131	NUT, full hex	2	109	114956	TERMINAL, wire, tap (25M992/25M993 only)	1
22	100023	WASHER, flat	7				
23	101566	NUT, lock	18	127	24C911	BAR, handle	1
32	24D170	BRACKET, arm, pivot, cage	1	128	112395	SCREW, cap, flng HD	4
33	16C666	BRACKET, pivot, wheel, rear	1	129	16C278	GROMMET, square	1
34	123746	SCREW, shoulder, socket hd	2	130	16C986	SHAFT, adjustment, cutter height	1
35	16C054	AXLE, pivot, drum, wheel, rear	1	131	115104	BEARING, flange	2
36	16C055	SPACER, wheel, pivot, rear	2	132	24D072	SHAFT, crank, adjustment	1
37	123613	WHEEL	2	133	24C982	BRACKET, crankshaft	1
39	123664	SCREW, cap, hex head	7	134	24D618	PIN, handle, scarifier	1
40	113962	WASHER, hardened, SAE	3	135	194310	LEVER, actuator	2
43	112960	SCREW, cap, flng HD	6	136	120151	RETAINER, plug	2
44	123906	PIN, cotter, hairpin	2	137	114659	GRIP, handle	2
45	111040	NUT, lock, insert, nylock, 5/16	15	138	16C808	PLATE, control	1
53	16C492	ADPATER, shaft, height adjustment	1	139	16D440	COVER, control	1
54	100133	WASHER, lock	3	140	117501	SCREW, mach, slot hex wash HD	9
58	123999	SCREW, cap, hex head	1	141	16C789	HARNESS, wire (25M992, 25M993 only)	1
59	109570	WASHER, plain	9		16C788	HARNESS, wire (25M994 only)	1
60	801020	NUT, lock, hex	4	142	24E296	CONTROL, throttle cable	1
61	24D150	ACTUATOR, cutter height, assembly	1	143	109466	NUT, lock, hex	2
62	16C667	ROD, lock, transport, painted	1	144a	114954	SWITCH, power (25M992, 25M993 only)	1
63	123681	SWIVEL, universal, joint	1				
64	116780	SCREW, hex, HD, flanged	1	144b	123682	SWITCH, power (25M994 only)	1
66	123984	PIN, spring	3	145	16D097	SWITCH, safety, tether, terminated	1
73	114982	SCREW, cap, flng HD	12		124081	CORD, lanyard, switch safety	1
76	112825	SPRING, belleville	6	148	102547	SCREW, cap, hex HD	1
78	112405	NUT, lock	3	150	123816	CABLE	1
79	114648	CAP, dust	3	151	16A717	CABLE with spring	1
83	16C781	PLATE, lift, scarifier	4	166▲	16D005	LABEL, 16 hp control (25M994 only)	1
84	114653	SCREW, cap, flange head	6	170	16D076	LABEL, scarifier cutter position	1
85	115087	PLUG, tubing	6	173▲	16C395	LABEL, ISO hazards & prevent	1
89	119547	NUT, hex, lock, nylon, thin	4	175	16D391	LABEL, brand, grindlazer	1
90	24D135	FRAME, rear	1	233	C19862	NUT, lock, hex	2
91	193405	AXLE	1	234	124131	SCREW, machine, pan head	2
93	111020	WHEEL, pneumatic	2	235	17W284	METER, tachometer/hour	1
94	100731	WASHER	1	248	16C486	BRACKET, hitch, mount, painted	1
96	24D544	HITCH, mount	1	249	125626	SCREW, hex head, flanged	2
97	116935	SCREW, cap, flng HD	3	250	111194	SCREW, cap, flanged head	1
98	116913	BALL, trailer	1	251*	116913	BALL, trailer	1
99	116833	SWITCH, safety	1	252*	110947	WASHER, plain	1
100	16C790	HARNESS, wire	1	255	17Z210	BRACKET, support, painted	1
101	16D497	ACTUATOR, switch, hitch	1	256	110963	SCREW, cap, flange head	2
102	198891	BRACKET	1				
103	195134	SPACER, ball, guide	1				
104	198931	BEARING	1				
105	113961	SCREW, cap, hex HD	1				
106	198930	ROD, brake	1				

\* Sold separately

▲ Replacement Danger and Warning labels, tags, and cards are available at no cost.

# Parts - 25N658, 25N659



# Parts List - 25N658, 25N659

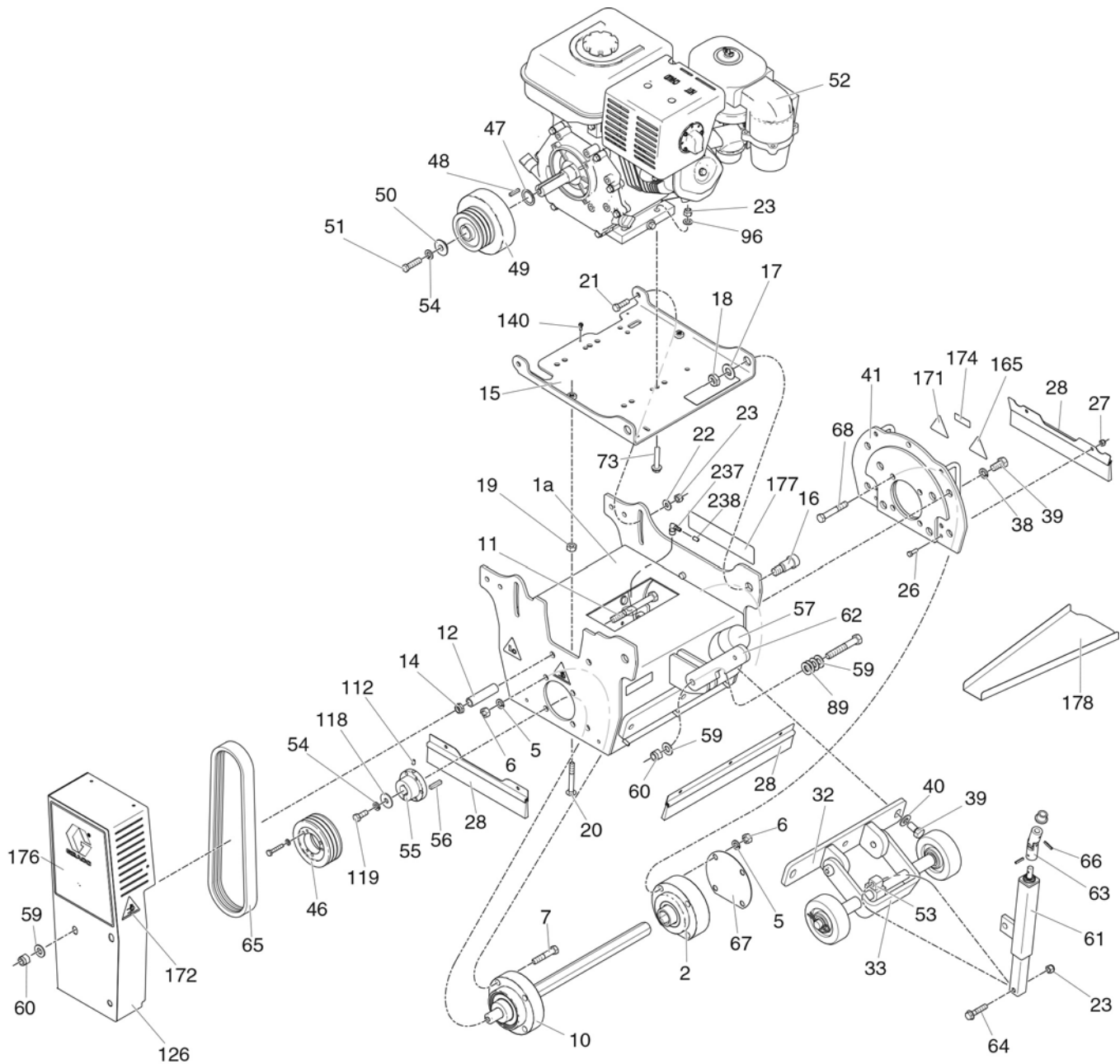
Ref.	Part	Description	Qty.	Ref.	Part	Description	Qty.
16	123644	SCREW, shoulder, socket head	2	127	24C911	BAR, handle	1
17	111841	WASHER, plain 5/8	2	128	112395	SCREW, cap, flng HD	4
18	119554	NUT, lock, nylon. thin patern	2	135	194310	LEVER, actuator	2
19	100131	NUT, full hex	2	136	120151	RETAINER, plug	2
22	100023	WASHER, flat	7	137	114659	GRIP, handle	2
23	101566	NUT, lock	17	138	17Y792	PLATE, control	1
24	17Z702	SPACER, wheel, pivot, rear, 1.000	1	139	17Z203	COVER, control	1
25	17Z701	SPACER, wheel, pivot, rear, 2.650	1	140	117501	SCREW, mach, slot hex wash HD	13
32	24D170	BRACKET, arm, pivot, cage	1	141	16C789	HARNES, wire (25N658 only)	1
33	16C666	BRACKET, pivot, wheel, rear	1	16C788	HARNES, wire (25N659 only)	1	
34	123746	SCREW, shoulder, socket head	2	142	24E296	CONTROL, throttle cable	1
35	16C054	AXLE, pivot, drum, wheel	1	143	109466	NUT, lock, hex	2
36	16C055	SPACER, wheel, pivot, rear	2	144	17Z193	SWITCH, power	1
37	123613	WHEEL	2	145	16D097	SWITCH, safety, tether, terminated	1
39	123664	SCREW, cap, hex head	7	124081	CORD, lanyard, switch safety	1	
40	113962	WASHER, hardened, SAE	3	148	102547	SCREW, cap, hex HD	1
43	112960	SCREW, cap, flng HD	6	150	123816	CABLE	1
44	123906	PIN, cotter, hairpin	2	151	16A717	CABLE with spring	1
45	111040	NUT, lock, insert, nylock, 5/16	15	166▲	16D005	LABEL, 16 hp control (25N659 only)	1
53	17Y791	ADAPTER, shaft, DCS, height adjustment	1	173▲	17Y699	LABEL, ISO hazards & prevent (25N658 only)	1
54	100133	WASHER, lock	3	17Z212	LABEL, ISO, hazards & prevent (25N659 only)	1	
58	100060	SCREW, cap, hex hd	1	175	17Y823	LABEL, brand, grindlazer	1
59	109570	WASHER, plain	7	207	116610	SCREW, machine, phillips, #10	4
61	17Y866	ACTUATOR, linear, 12V, 2" stroke	1	208	115483	NUT, lock	4
62	16C667	ROD, lock, transport	1	233	C19862	NUT, lock, hex	2
64	17Y961	PIN, clevis	2	234	124131	SCREW, machine, pan head	2
73	114982	SCREW, cap, flng HD	12	235	17W284	METER, tachometer/hour	1
76	112825	SPRING, belleville	6	244	17Y962	PIN, cotter, bowtie	2
78	112405	NUT, lock	3	245	17Y673	SWITCH, rocker, DCS	1
79	114648	CAP, dust	3	247*	18A790	CONTROL, assembly, DCS	1
83	16C781	PLATE, lift, scarifier	4	248	16C486	BRACKET, hitch, mount, painted	1
84	114653	SCREW, cap, flange head	8	249	125626	SCREW, hex head, flanged	2
85	115087	PLUG, tubing	4	250	111194	SCREW, cap, flanged head	1
89	119547	NUT, hex, lock, nylon, thin	5	251**	116913	BALL, trailer	1
90	24D135	FRAME, rear	1	252**	110947	WASHER, plain	1
91	193405	AXLE	1	253	17Z192	GROMMET	1
93	111020	WHEEL, pneumatic	2	258	17Z399	LABEL, instructions	1
94	100731	WASHER	1	259	17Z341	TAPE, foam	1
96	24D544	HITCH, mount	1	260	17Z340	BOOT, toggle	1
97	116935	SCREW, cap, flng HD	3	261	112738	GROMMET	1
98	116913	BALL, trailer	1	262	17Z410	TOOL, wrench, allen, 6mm	1
99	116833	SWITCH, safety	1	266	17Z411	TUBE, corrugated, slit, 5/8" ID	1
100	16C790	HARNES, wire	1				
101	16D497	ACTUATOR, switch, hitch	1				
102	198891	BRACKET	1				
103	195134	SPACER, ball, guide	1				
104	198931	BEARING	1				
105	113961	SCREW, cap, hex HD	1				
106	198930	ROD, brake	1				
109	114956	TERMINAL, wire, tap (25N658 only)	1				

\* See page 19 for internal parts used in 18A790 DCS Assembly Control.

\*\* Sold separately

▲ Replacement Danger and Warning labels, tags, and cards are available at no cost.

# Parts - 25M992, 25M993, 18B306 (China Only), 18B307 (China Only)



ti25393c

# Parts List - 25M992, 25M993, 18B306 (China Only), 18B307 (China Only)

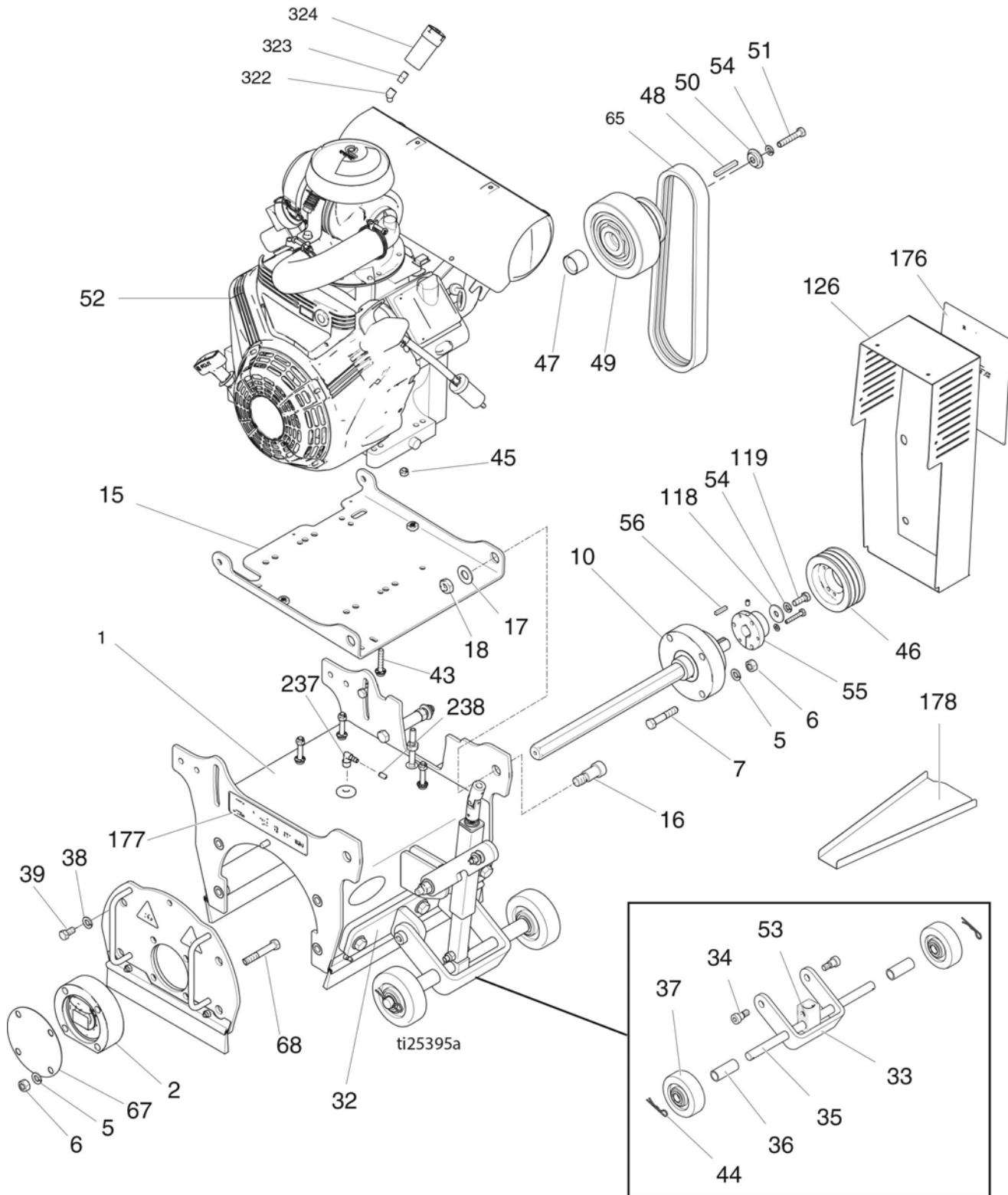
Ref.	Part	Description	Qty.	Ref.	Part	Description	Qty.
1a	24D185	ENCLOSURE, 9 HP and 13 HP (DC89 / DC1013 only)	1	55	123799	BUSHING, QD, sheave, pulley	1
2	24E291	BEARING, mount	1	56	16D410	KEY, square	1
5	100052	WASHER, lock	8	57	123811	CAP, plug, tube, red, 2 inch	1
6	101213	NUT, full, hex	8	59	109570	WASHER, plain	9
7	123770	SCREW, cap, hex HD	4	60	801020	NUT, lock	4
10	24E290	KIT, bearing, shaft, drive	1	61	24D150	ACTUATOR, cutter height, assembly	1
11	123643	SCREW, cap, hex HD	3	62	16C667	ROD, lock, transport	1
12	16C409	SPACER, guard, belt	3	63	123681	SWIVEL, universal, joint	1
14	100321	NUT	3	64	116780	SCREW, hex, hd, flanged	5
15	24D168	PLATE, mount, motor	1	65*	124994	BELT, 3VX355	1
16	123644	SCREW, shoulder, socket head	2	66	123984	PIN, spring	3
17	111841	WASHER, plain 5/8	2	67	16D443	COVER, dust, bearing	2
18	119554	NUT, lock, nylon, thin pattern	2	68	123982	SCREW, cap, hex head	4
19	100131	NUT, full hex	2	73	114982	SCREW, cap	8
20	124258	BOLT, carriage	1	89	119547	NUT, hex, lock, nylon, thin	1
21	100004	SCREW, cap, hex HD	2	96	112914	WASHER	4
22	100023	WASHER, flat	2	112	108851	WASHER, plain	2
23	101566	NUT, lock	13	118	100133	WASHER, lock	2
26	100022	SCREW, cap, hex HD	9	119	116596	SCREW, cap, hex head	2
27	102040	NUT, lock, hex	12	126	24D075	COVER, belt	1
28	24D584	KIT, brush, scarifier	2	140	117501	SCREW, mach, slot hex wash HD	5
32	24D170	BRACKET, arm, pivot	1	165▲	16D646	LABEL, hot surface	1
33	16C666	BRACKET, pivot, wheel, rear, painted	1	171▲	16C393	LABEL, ISO cut foot icon	2
38	100018	WASHER, lock, spring	4	172▲	16C394	LABEL, ISO pinch hazard icon	2
39	123664	SCREW, cap, hex head	7	174	16C396	LABEL, grease equipment 50 hours	2
40	113962	WASHER, hardened, SAE	3	176	17W756	LABEL, brand, Grindlazer DC1013	1
41	24D173	COVER, cage, drum	1		17W755	LABEL, brand, Grindlazer DC89	1
46	123697	PULLEY, sheave, QD, 3V	1	177	17W760	LABEL, brand, Grindlazer DC1013	1
47	16E053	SPACER, clutch (DC89/DC1013 only)	1		17W759	LABEL, brand, Grindlazer DC89	1
48	801137	KEY, square	1	178	15F354	FUNNEL, oil	1
49*	24H324	CLUTCH, centrifugal (DC89/DC1013 only)	1	237	17W935	FITTING, 1/4" NPTMx1/4" Barb	
50	16C708	SPACER, engine (DC1013 only)	1	238	128718	CAP, Vinyl, 1/4-5/16	
	16D067	SPACER, engine (DC89 only)	1				
51	123939	SCREW, cap, hex, head (DC1013 only)	1				
	123941	SCREW, cap, hex, head (DC89 only)	1				
52	123966	ENGINE, gasoline, 9 HP (DC89 only)	1				
	123814	ENGINE, gasoline, 13 HP (DC1013 only)	1				
	18B303	ENGINE, gasoline, 9 HP (China Only)	1				
	25P298	ENGINE, gasoline, 13 HP (China Only)	1				
53	16C492	ADAPTER, shaft, height, adjustment	1				
54	100133	WASHER, lock (DC1013 only)	1				
	100052	WASHER, lock (DC89 only)	1				

\* KIT includes belt 65

▲ Replacement Danger and Warning labels, tags, and cards are available at no cost.

**NOTE:** Any part that does not call out a specific GrindLazer model is common to all three non-DCS GrindLazer models.

# Parts - 25M994





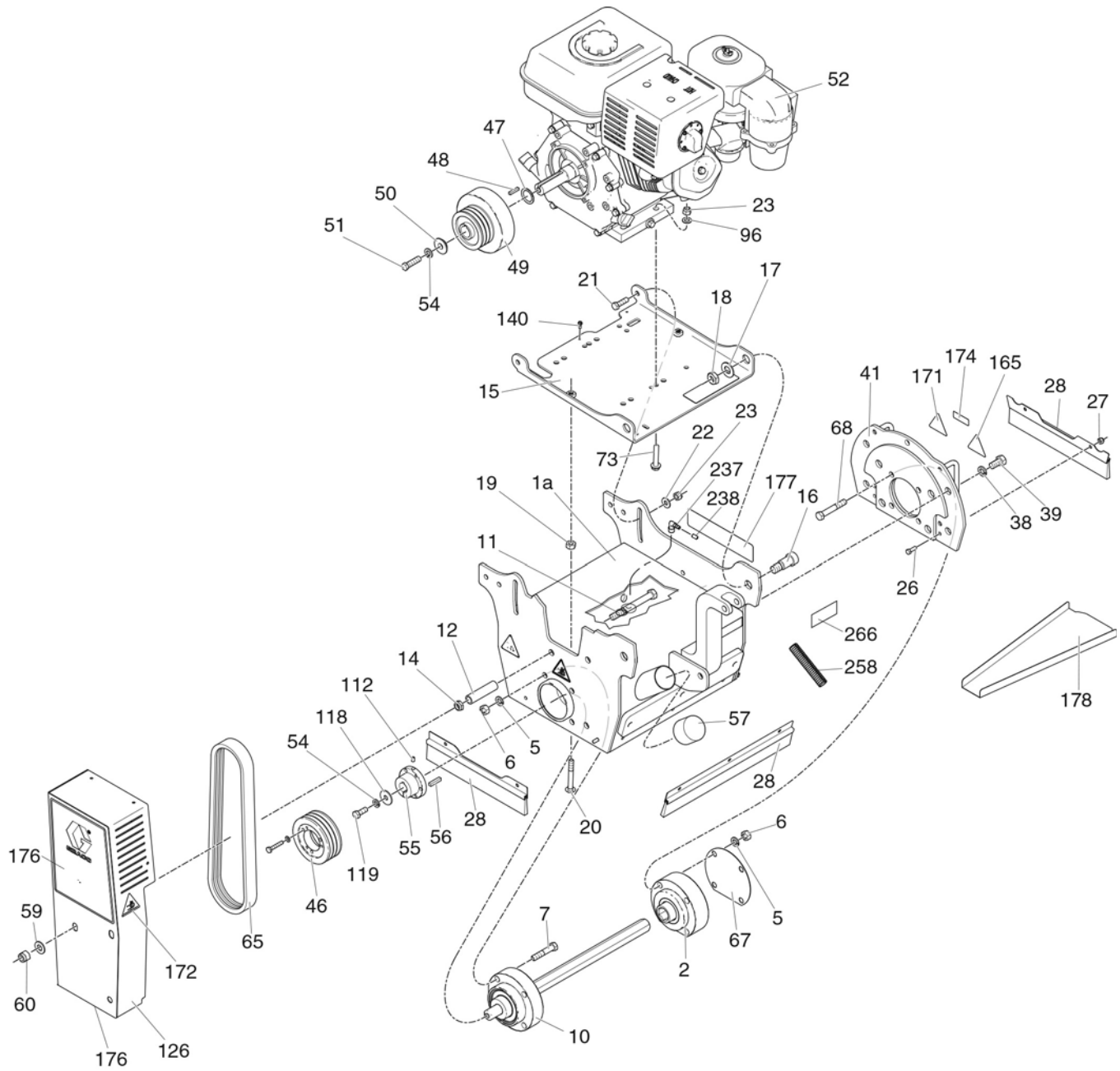
# Parts List - 25M994

Ref.	Part	Description	Qty.	Ref.	Part	Description	Qty.
1b	24D186	ENCLOSURE, 21 HP	1	52	17W573	ENGINE, gasoline, 21HP (DC1021)	1
2	24E291	BEARING, mount	1	53	16C492	ADAPTER, shaft, height adjustment	1
5	100052	WASHER, lock	8	54	100133	WASHER, lock (DC1021 only)	1
6	101213	NUT, full, hex	8	55	123799	BUSHING, QD, sheave, pulley	1
7	123770	SCREW, cap, hex HD	4	56	16D410	KEY, square	1
10	24E290	KIT, bearing, shaft, drive	1	65*	124994	BELT, 3VX355	1
15	24D168	PLATE, mount, motor	1	67	16D443	COVER, dust, bearing	2
16	123644	SCREW, shoulder, socket head	2	68	123982	SCREW, cap, hex head	4
17	111841	WASHER, plain 5/8	2	118	100133	WASHER, lock	2
18	119554	NUT, lock, nylon, thin pattern	2	119	116596	SCREW, cap, hex head	2
32	24D170	BRACKET, arm, pivot	1	126	24D075	COVER, belt	1
33	16C666	BRACKET, pivot, wheel	1	176	17W757	LABEL, brand, Grindlazer DC1021	1
34	123746	SCREW, shoulder, socket head	2	177	17W761	LABEL, brand, Grindlazer DC1021	1
35	16C054	AXLE, pivot, drum, wheel	1	178	15F354	FUNNEL, oil	1
36	16C055	SPACER, wheel, pivot	2	237	17W935	FITTING, 1/4" NPTM X 1/4" Barb	
37	123613	WHEEL	2	238	128718	CAP, Vinyl, 1/4-5/16	
38	100018	WASHER, lock, spring	4	322	113630	ELBOW	1
39	123664	SCREW, cap, hex head	7	323	125509	FITTING, nipple	1
43	112960	SCREW, cap, flng HD	6	324	127989	INDICATOR, air filter	1
44	123906	PIN, cotter, hair pin	2				
45	111040	NUT, lock, insert, nylock, 5/16	15				
46	123697	PULLEY, sheave, QD, 3V	1				
47	16P716	SPACER, clutch (DC1021 only)	1				
48	801137	KEY, square	1				
49*	24H323	CLUTCH, centrifugal (DC1021)	1				
50	16C708	SPACER, engine (DC1021)	1				
51	123940	SCREW, cap, hex head (DC1021)	1				

\* KIT includes belt 65

**NOTE:** See the **25M992/25M993** section on pages **6** and **7** for 25M994 parts that are common with 25M992/25M993.

# Parts - 25N658, 18B305 (China Only)



t36179a

## Parts List - 25N658, 18B305 (China Only)

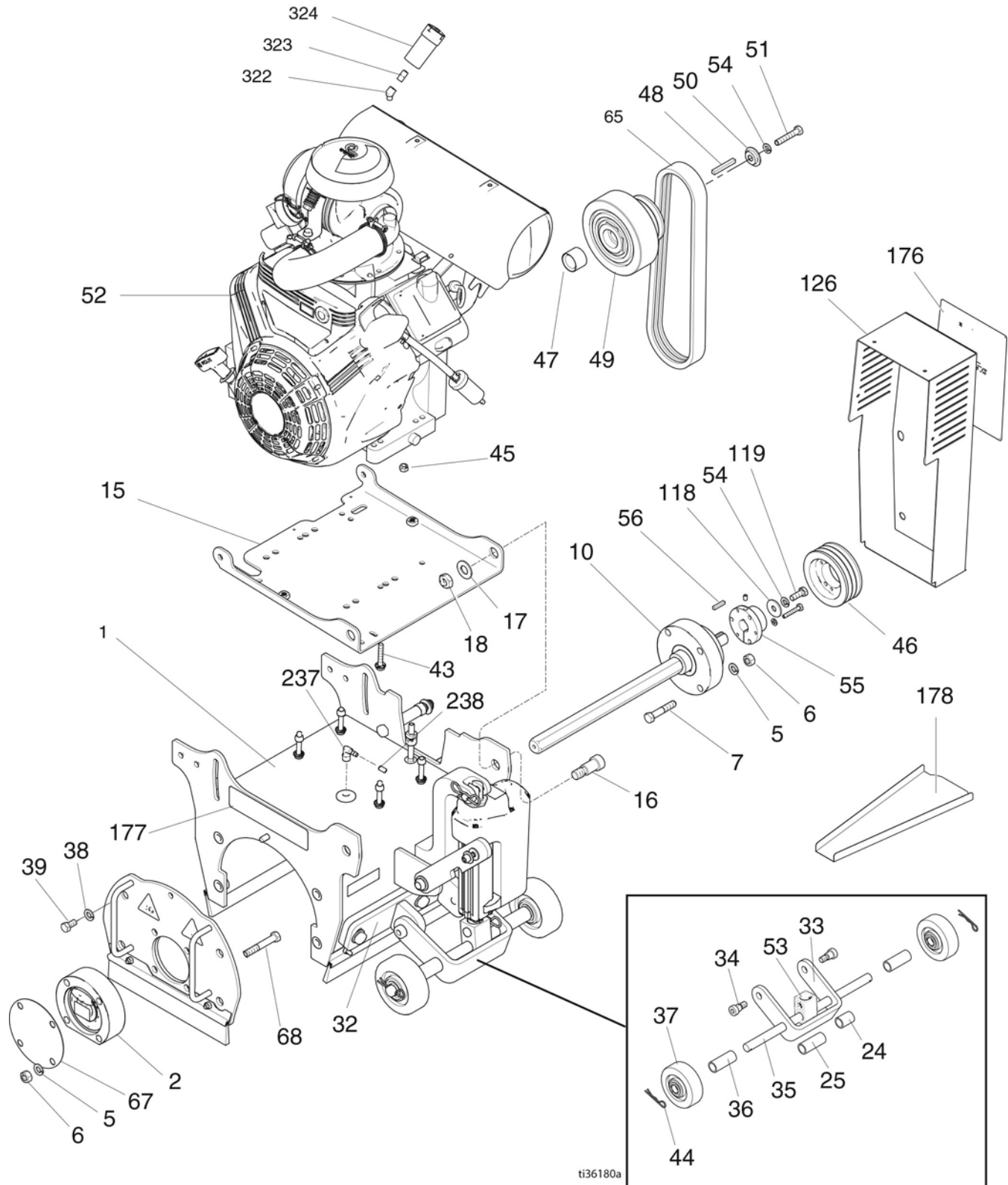
Ref.	Part	Description	Qty.	Ref.	Part	Description	Qty.
1a	26A772	ENCLOSURE, 9 HP and 13 HP (25N658 only)	1	60	801020	NUT, lock	3
2	24E291	BEARING, mount	1	65*	124994	BELT, 3VX355	1
5	100052	WASHER, lock	8	67	16D443	COVER, dust, bearing	2
6	101213	NUT, full, hex	8	68	123982	SCREW, cap, hex head	4
7	123770	SCREW, cap, hex HD	4	73	114982	SCREW, cap	8
10	24E290	KIT, bearing, shaft, drive	1	96	112914	WASHER	4
11	123643	SCREW, cap, hex HD	3	112	108851	WASHER, plain	2
12	16C409	SPACER, guard, belt	3	118	100133	WASHER, lock	2
14	100321	NUT	3	119	116596	SCREW, cap, hex head	2
15	24D168	PLATE, mount, motor	1	126	24D075	COVER, belt	1
16	123644	SCREW, shoulder, socket head	2	140	117501	SCREW, mach, slot hex wash HD	5
17	111841	WASHER, plain 5/8	2	165▲	16D646	LABEL, hot surface	1
18	119554	NUT, lock, nylon, thin pattern	2	171▲	16C393	LABEL, ISO cut foot icon	2
19	100131	NUT, full hex	2	172▲	16C394	LABEL, ISO pinch hazard icon	2
20	124258	BOLT, carriage	1	174	16C396	LABEL, grease equipment 50 hours	2
21	100004	SCREW, cap, hex HD	2	176	17Y826	LABEL, brand, Grindlazer DC1013	1
22	100023	WASHER, flat	7	177	17Y828	LABEL, brand, Grindlazer 25N658	1
23	101566	NUT, lock	17	178	15F354	FUNNEL, oil	1
26	100022	SCREW, cap, hex HD	7	237	17W935	FITTING, 1/4" NPTMx1/4" Barb	
27	102040	NUT, lock, hex	17	238	128718	CAP, Vinyl, 1/4-5/16	
28	24D584	KIT, brush, scarifier	2				
32	24D170	BRACKET, arm, pivot	1				
33	16C666	BRACKET, pivot, wheel, rear, painted	1				
38	100018	WASHER, lock, spring	4				
39	123664	SCREW, cap, hex head	7				
40	113962	WASHER, hardened, SAE	3				
41	24D173	COVER, cage, drum	1				
46	123697	PULLEY, sheave, QD, 3V	1				
47	16E053	SPACER, clutch (DC89/DC1013 only)	1				
48	801137	KEY, square	1				
49*	24H324	CLUTCH, centrifugal (25N658 only)	1				
50	16C708	SPACER, engine (25N658 only)	1				
51	123939	SCREW, cap, hex, head (25N658 only)	1				
52	17Y714	ENGINE, gasoline, 13 HP	1				
	18B304	ENGINE, gasoline, 13 HP (China Only)	1				
54	100133	WASHER, lock (25N658 only)	1				
55	123799	BUSHING, QD, sheave, pulley	1				
56	16D410	KEY, square	1				
57	123811	CAP, plug, tube, red, 2 inch	1				
59	109570	WASHER, plain	7				

\* KIT includes belt 65

+ Air cleaner element used in Honda Engine Cyclone air filter system is Honda part number 17210-Z1C-781  
▲ Replacement Danger and Warning labels, tags, and cards are available at no cost.

**NOTE:** Any part that does not call out a specific GrindLazer model is common to both DCS GrindLazer models.

# Parts - 25N659



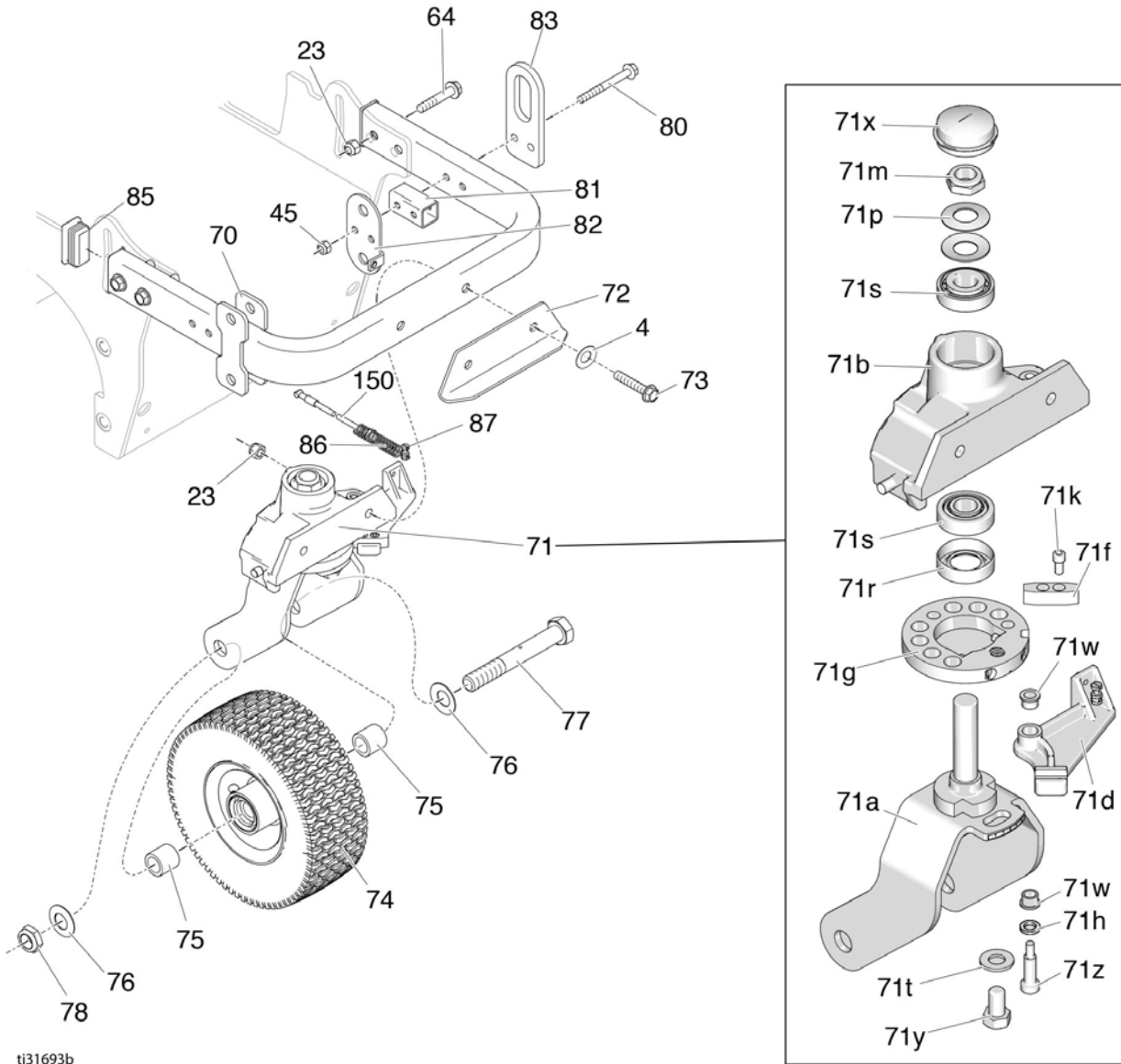
# Parts List - 25N659

Ref.	Part	Description	Qty.	Ref.	Part	Description	Qty.
1	26A774	ENCLOSURE, 21 HP	1	50	16C708	SPACER, engine (25N659 only)	1
2	24E291	BEARING, mount	1	51	123940	SCREW, cap, hex head (25N659 only)	1
5	100052	WASHER, lock	8				
6	101213	NUT, full, hex	8	52	17W573	ENGINE, gasoline, 21HP (25N659 only)	1
7	123770	SCREW, cap, hex HD	4				
10	24E290	KIT, bearing, shaft, drive	1	53	17Y791	ADAPTER, shaft, DCS	1
15	24D168	PLATE, mount, motor	1	54	100133	WASHER, lock (25N659 only)	1
16	123644	SCREW, shoulder, socket head	2	55	123799	BUSHING, QD, sheave, pulley	1
17	111841	WASHER, plain 5/8	2	56	16D410	KEY, square	1
18	119554	NUT, lock, nylon, thin pattern	2	65*	124994	BELT, 3VX355	1
24	17Z702	SPACER, wheel, pivot, rear, 1.000	1	67	16D443	COVER, dust, bearing	2
25	17Z701	SPACER, wheel, pivot, rear, 2.650	1	68	123982	SCREW, cap, hex head	4
				118	100133	WASHER, lock	2
				119	116596	SCREW, cap, hex head	2
32	24D170	BRACKET, arm, pivot	1	126	24D075	COVER, belt	1
33	16C666	BRACKET, pivot, wheel	1	176	17Y827	LABEL, brand, Grindlazer 25N659	1
34	123746	SCREW, shoulder, socket head	2	177	17Y829	LABEL, brand, Grindlazer 25N659	
35	16C054	AXLE, pivot, drum, wheel	1	178	15F354	FUNNEL, oil	1
36	16C055	SPACER, wheel, pivot	2	237	17W935	FITTING, 1/4" NPTM X 1/4" Barb	
37	123613	WHEEL	2	238	128718	CAP, Vinyl, 1/4-5/16	
38	100018	WASHER, lock, spring	4	322	113630	ELBOW	1
39	123664	SCREW, cap, hex head	7	323	125509	FITTING, nipple	1
43	112960	SCREW, cap, flng HD	6	324	127989	INDICATOR, air filter	1
44	123906	PIN, cotter, hair pin	2				
45	111040	NUT, lock, insert, nylock, 5/16	15				
46	123697	PULLEY, sheave, QD, 3V	1				
47	16P716	SPACER, clutch (25N659 only)	1				
48	801137	KEY, square	1				
49*	24H323	CLUTCH, centrifugal (25N659 only)	1				

\* KIT includes belt 65

**NOTE:** See the **25N658** section on pages **10** and **11** for 25N659 parts that are common with 25N658.

# Parts - 25M992, 25M993



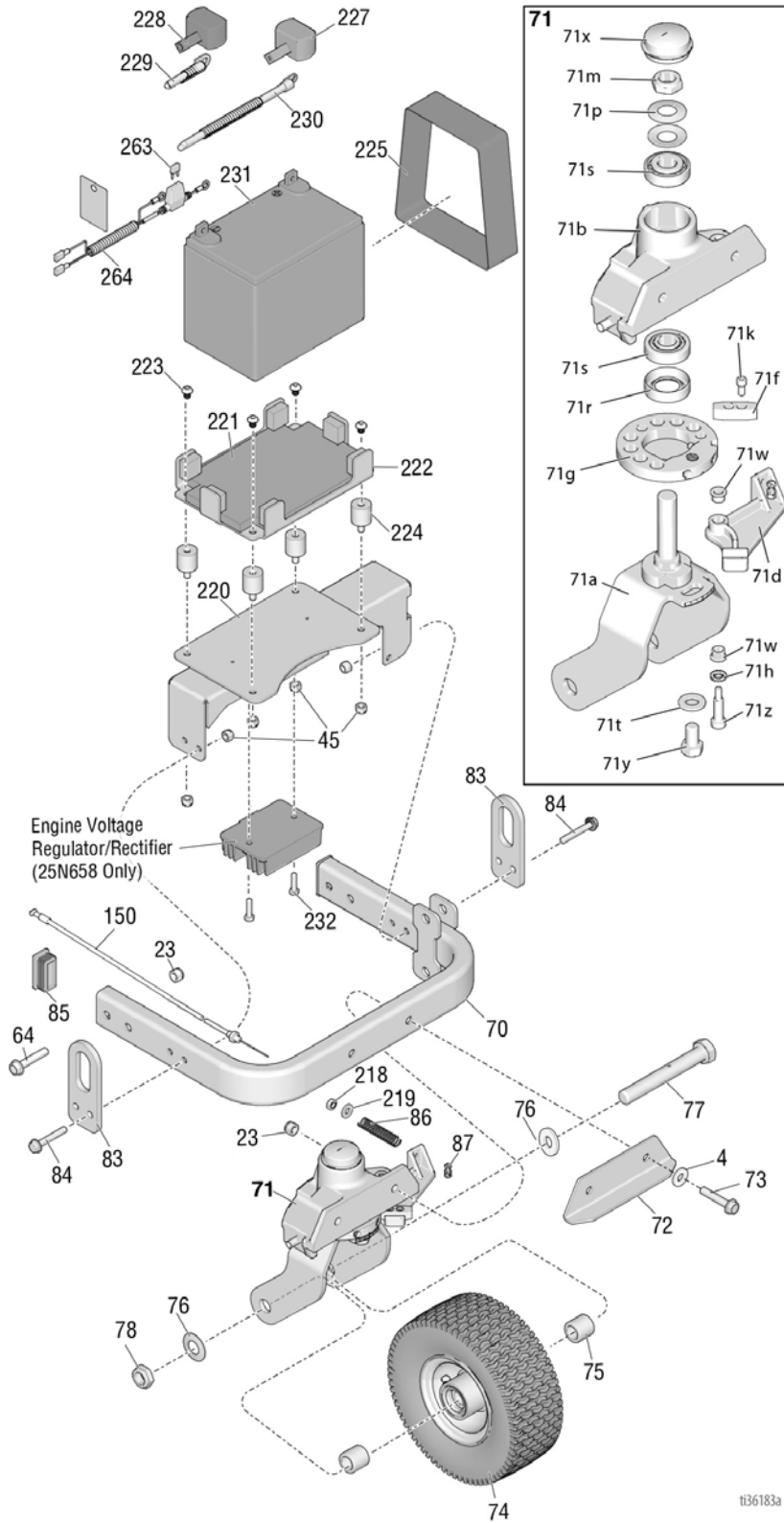
ti31693b

## Parts List - 25M992, 25M993

Ref.	Part	Description	Qty.	Ref.	Part	Description	Qty.
4	112914	WASHER, plain	2	77	113471	SCREW, cap, hex HD	1
23	101566	NUT, lock	6	78	112405	NUT, lock	3
45	111040	NUT, lock, insert, nylock, 5/16	4	83	16C781	PLATE, lift, scarifier	2
64	116780	SCREW, hex, HD, flanged	4	84	114653	SCREW, cap, flange head	4
70	24D184	FRAME, front	1	85	115087	PLUG, tubing	2
71	24H246	CASTER, LineLazer	1	86	114682	SPRING, compression	1
71a	17H485	SHAFT, fork	1	87	114802	STOP, wire	1
71b*	15G952	BRACKET	1	150	123816	CABLE	1
71d	193528	ARM, detent	1	217	17W802	LABEL, grindlazer, electric start	1
71f	193662	STOP, wedge	1	218	110005	NUT, jam, hex	1
71g	17H486	DISK, adjuster	1	219	100527	WASHER, plain	1
71h	15J603	WASHER	1	220	17W807	BOX, battery, grindlazer, painted	1
71j	108483	SCREW, shoulder, sch	1	221	801972	PAD, battery	1
71k	110754	SCREW, cap	2	222	16U697	BRACKET, mounting, battery, painted	1
71m	112405	NUT, lock	4	223	15F366	PAD, foam, 6 in.	1
71p	119563	SPRING, belleville	2	224	107068	HOOK, bolt	2
71r	113484	SEAL	1	225	100016	WASHER, lock	2
71s*	113485	BEARING	2	226	100011	NUT, wing	2
71t	113962	WASHER	1	227	801958	PROTECTOR, terminal, red	1
71w	114548	BEARING, bronze	2	228	801959	TERMINAL, protector, black	1
71x	114648	CAP, dust	3	229	113951	CABLE, electric, neg	1
71y	114681	SCREW	1	230	125073	CABLE, electric, battery, positive	1
71z	120476	BOLT	1	231	115753	BATTERY, 33ah, sealed	1
72	240991	BRACKET, caster, front	1				
73	114666	SCREW, cap, flng HD	2				
74	114549	WHEEL, pneumatic	1				
75	193658	SPACER, seal	2				
76	112825	SPRING, belleville	2				

\* Included in Bracket Repair Kit 240940.

# Parts - 25M994, 25N658, 25N659



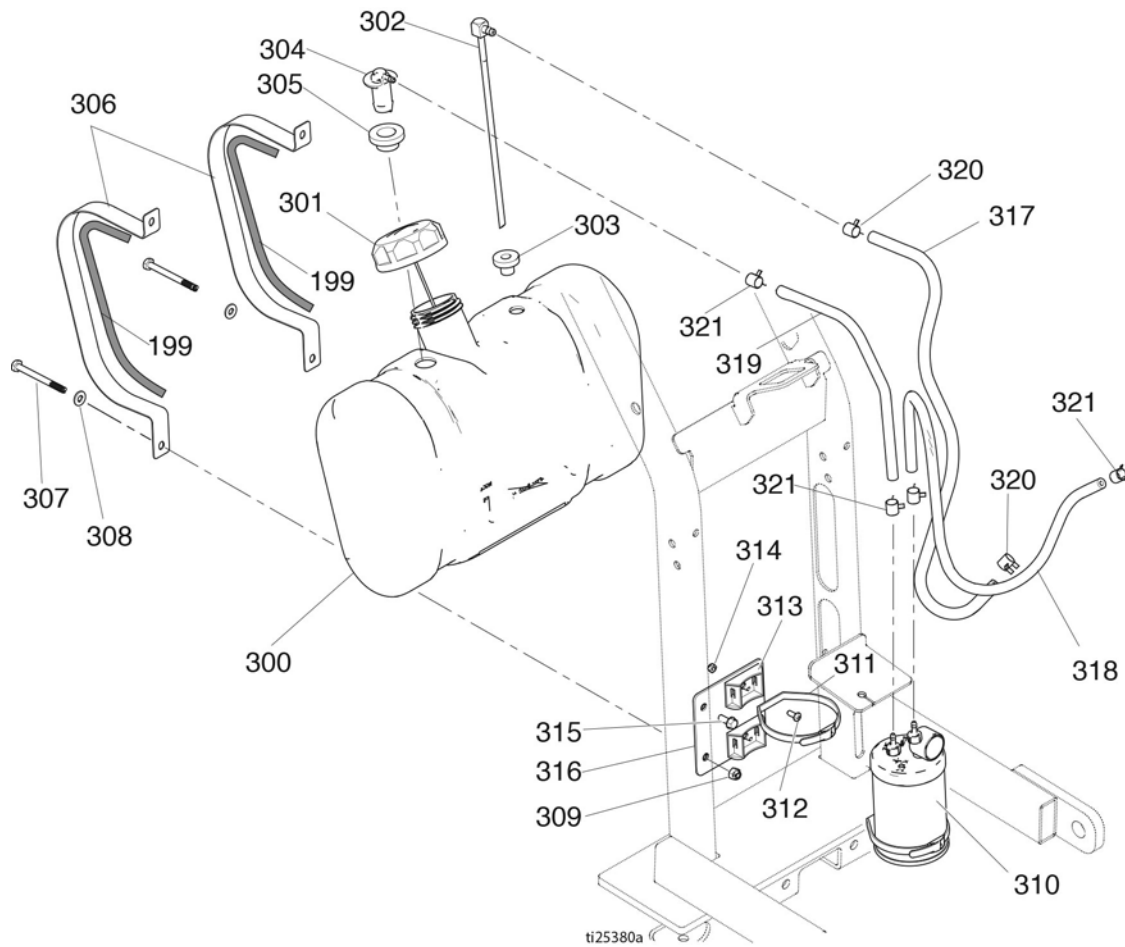


## Parts List - 25M994, 25N658, 25N659

Ref.	Part	Description	Qty.	Ref.	Part	Description	Qty.
4	112914	WASHER, plain	2	84	114653	SCREW, cap, flange head	4
23	101566	NUT, lock	6	85	115087	PLUG, tubing	2
45	111040	NUT, lock, insert, nylock, 5/16	8	86	114682	SPRING, compression	1
64	116780	SCREW, hex, HD, flanged	4	87	114802	STOP, wire	1
70	24D184	FRAME, front	1	150	123816	CABLE	1
71	24H246	CASTER, LineLazer	1	218	110005	NUT, jam, hex	1
71a	17H485	SHAFT, fork	1	219	100527	WASHER, plain	1
71b*	15G952	BRACKET	1	220	17Z722	BOX, battery, grindlazer, painted	1
71d	193528	ARM, detent	1	221	17Z660	PAD, battery	1
71f	193662	STOP, wedge	1	222	17Z719	TRAY, battery, painted	1
71g	17H486	DISK, adjuster	1	223	18A547	FASTENER, BHCS, 5/16-18 x .375	4
71h	15J603	WASHER	1	224	17Z720	DAMPENER, dia 1.00"	4
71j	108483	SCREW, shoulder, sch	1	225	17Z663	STRAP, velcro, 2" wide	1
71k	110754	SCREW, cap	2	227	801958	PROTECTOR, terminal, red	1
71m	112405	NUT, lock	4	228	801959	PROTECTOR, terminal, black	1
71p	119563	SPRING, belleville	2	229		CABLE, electric, negative	1
71r	113484	SEAL	1		113951	25M994, 25N659 Models	
71s*	113485	BEARING	2		17Y958	25N658 Model	
71t	113962	WASHER	1	230		CABLE, electric, positive	1
71w	114548	BEARING, bronze	2		125073	25M994, 25N659 Models	
71x	114648	CAP, dust	3		17Y960	25N658 Model	
71y	114681	SCREW	1	231	115753	BATTERY, 33ah, sealed	1
71z	120476	BOLT	1	232	100021	SCREW, cap, hex head (25N658 only)	2
72	240991	BRACKET, caster, front	1	263	17Z342	FUSE, 20A (25N658, 25N659 only)	1
73	114982	SCREW, cap, flng HD	2	264	17Z381	HARNES, wire, power, DCS HP (25N658, 25N659 only)	1
74	114549	WHEEL, pneumatic	1				
75	193658	SPACER, seal	2				
76	112825	SPRING, belleville	2				
77	113471	SCREW, cap, hex HD	1				
78	112405	NUT, lock	3				
83	16C781	PLATE, lift, scarifier	2				

\* Included in Bracket Repair Kit 240940.

# Parts - 24M994, 25N659

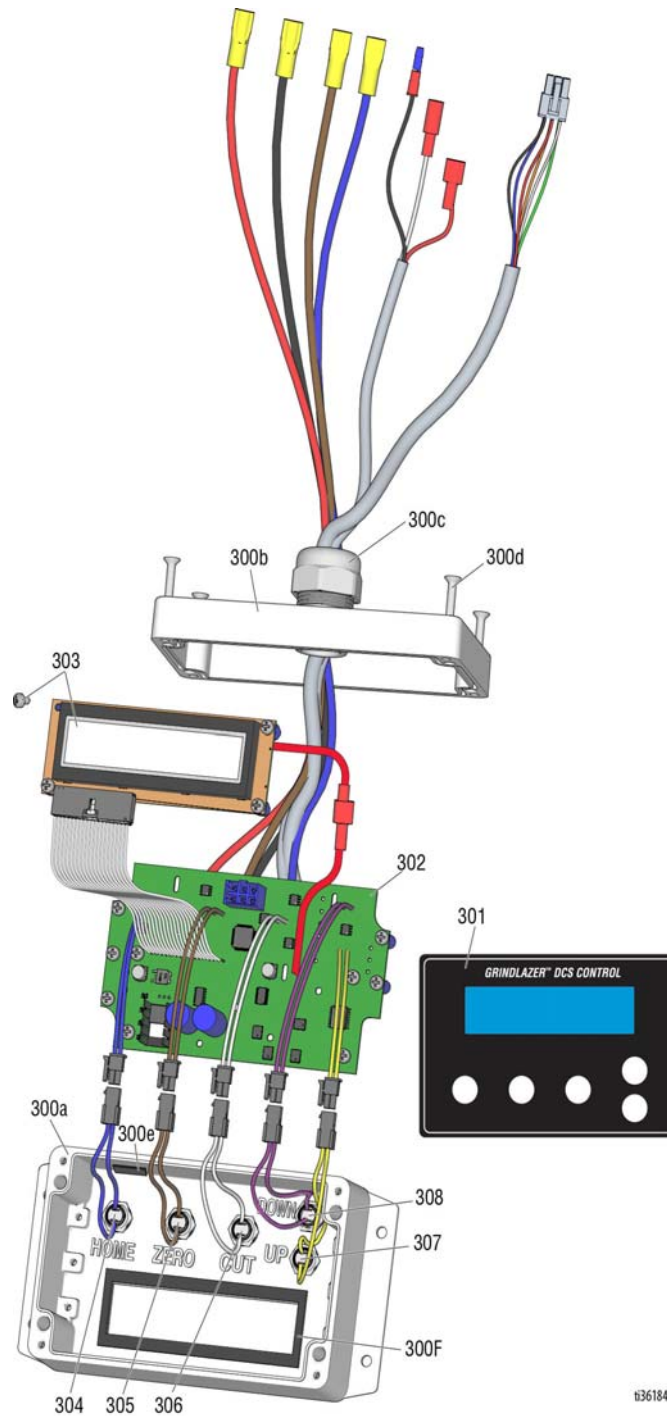


## Parts List

Ref.	Part	Description	Qty.	Ref.	Part	Description	Qty.
199	17Z689	FOAM, urethane, 3/16"	2	311	16G756	STRAP	2
300	17C978	KIT, fuel tank, 2 gallon	1	312	116610	SCREW	2
301	17C989	CAP, fuel	1	313	16G758	BRACKET	2
302	17C988	PICK UP FUEL	1	314	115483	NUT	2
303	16G754	GROMMET	1	315	112774	SCREW	1
304	17D030	GROMMET	1	316	17D019	BRACKET	1
305	17D029	VALVE, fuel	1	317	17C983	HOSE, 1/4" 19 in.	1
306	17D021	STRAP, mounting	1	318	17C984	HOSE, 3/6" 21 in.	1
307	103547	SCREW	4	319	17C985	HOSE, 3/16" 14 in.	2
308	110755	WASHER	4	320	16G757	CLAMP, hose 1/4	2
309	102040	NUT	4	321	16G162	CLAMP, hose 3/16	5
310	17C979	CART, carbon	1				

# DCS Control Box 18A790

25N658 & 25N659 only

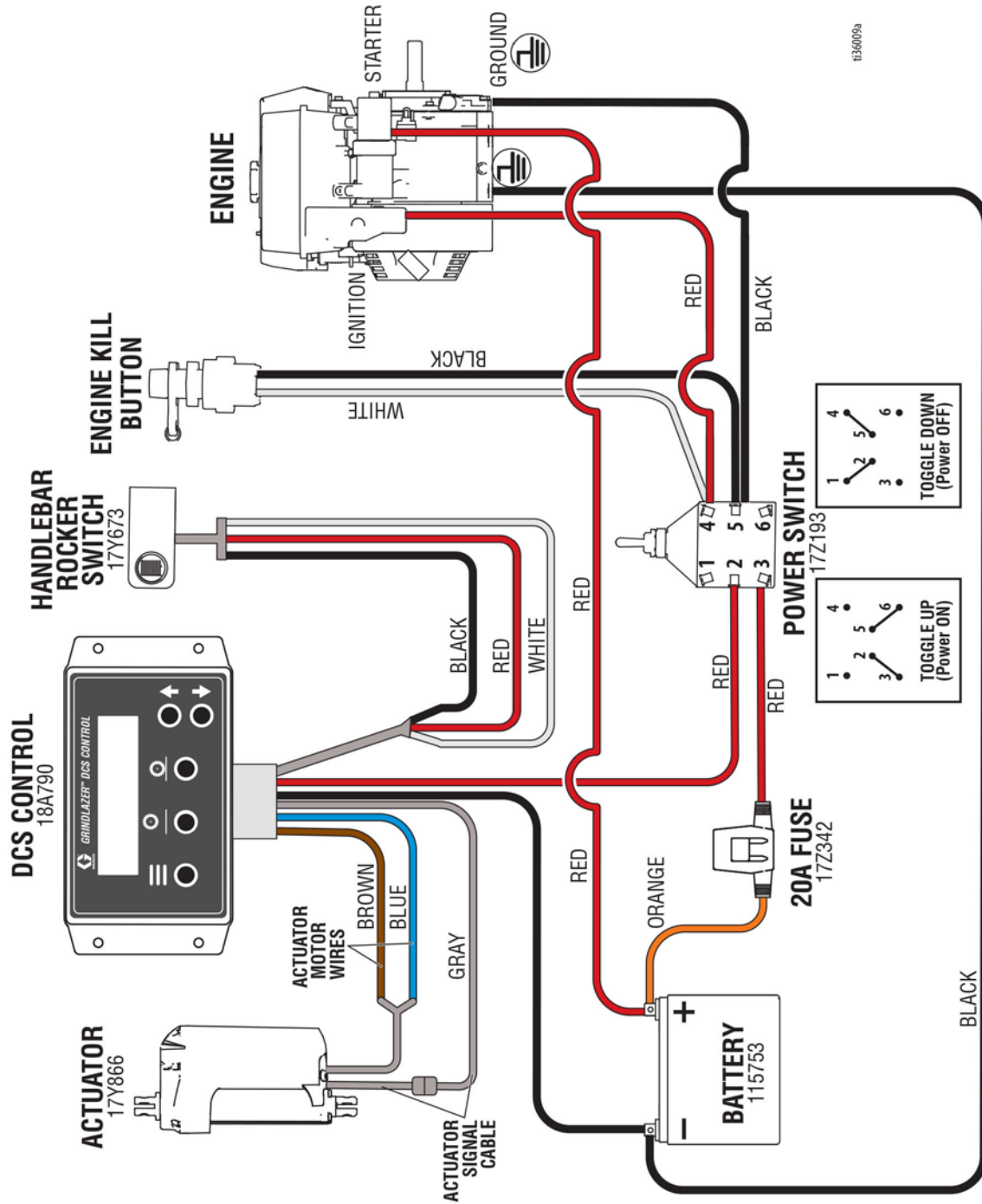


## Parts List

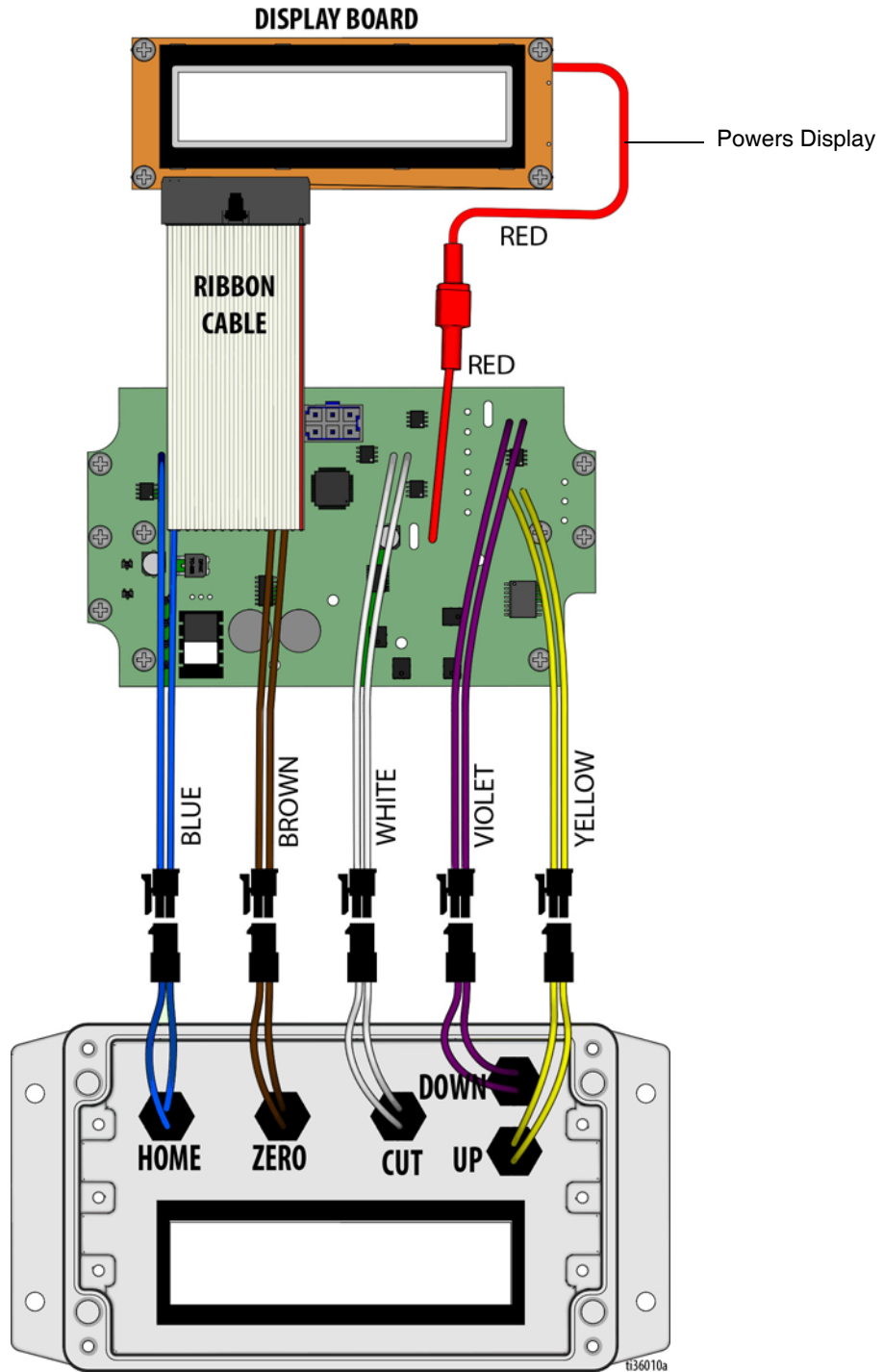
Ref.	Part	Description	Qty.	Ref.	Part	Description	Qty.
300	18A690	KIT, DCS Control Box, machined <i>includes 300a - 300f</i>	1	304	18A693	KIT, home button, DCS	1
301	17Y686	LABEL, control, GrindLazer DCS	1	305	18A694	KIT, zero button, DCS	1
302	18A691	KIT, potted DCS Control PCB	1	306	18A695	KIT, cut button, DCS	1
303	18A692	KIT, display board, DCS control	1	307	18A696	KIT, up button, DCS	1
				308	18A697	KIT, down button, DCS	1

# Wiring Diagram

## DCS System

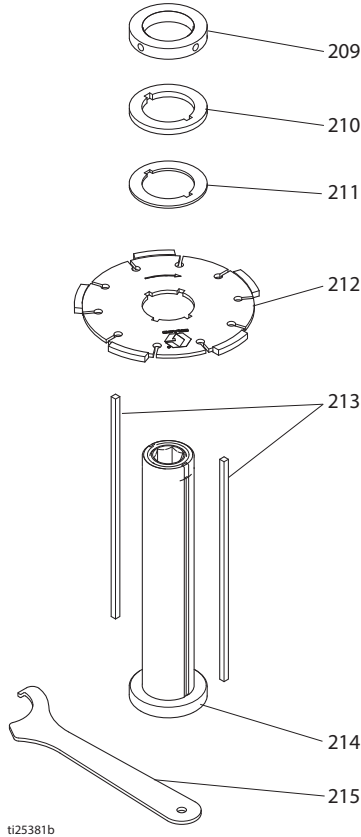


# DCS Control Box Wiring Diagram



# Drum and Cutter Parts

## Diamond Drum Parts



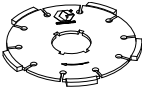
## Diamond Drum Parts List

Ref.	Part	Description	Qty.
209	16A259	CAP, end, threaded	◆
210	16A257	SPACER, 1/4 in.	◆
211	16A258	SPACER, 1/8 in.	◆
212	24E289	BLADE, diamond	◆
213	123252	SQUARE KEY	2
214	24D982	DRUM	1
215	16E065	WRENCH, spanner	1

◆ Quantities will vary. See chart below.

## Flail-Type Drum Parts

Visit [www.graco.com/drumassembly](http://www.graco.com/drumassembly) for instructions on how to assemble various drum configurations.

Diamond Blades		Applications: Specifically used to inlay and groove concrete and asphalt pavement					
Ref.	Part	Description	Cut Width	Blades	1/8 in. Blade Spacers	1/4 in. End Spacers	Square Key
212	24E289	Replacement Diamond Blade	1/4 in. / 6.35 cm	1			
	24B965	Completely assembled drum for pavement grooving/inlay	5 in. / 12.75 cm	30	204	21	2
	24D583	Completely assembled drum for pavement grooving/inlay	10 in. / 25.5 cm	42	132	2	2

# Graco Standard Warranty

Graco warrants all equipment referenced in this document which is manufactured by Graco and bearing its name to be free from defects in material and workmanship on the date of sale to the original purchaser for use. With the exception of any special, extended, or limited warranty published by Graco, Graco will, for a period of twelve months from the date of sale, repair or replace any part of the equipment determined by Graco to be defective. This warranty applies only when the equipment is installed, operated and maintained in accordance with Graco's written recommendations.

This warranty does not cover, and Graco shall not be liable for general wear and tear, or any malfunction, damage or wear caused by faulty installation, misapplication, abrasion, corrosion, inadequate or improper maintenance, negligence, accident, tampering, or substitution of non-Graco component parts. Nor shall Graco be liable for malfunction, damage or wear caused by the incompatibility of Graco equipment with structures, accessories, equipment or materials not supplied by Graco, or the improper design, manufacture, installation, operation or maintenance of structures, accessories, equipment or materials not supplied by Graco.

This warranty is conditioned upon the prepaid return of the equipment claimed to be defective to an authorized Graco distributor for verification of the claimed defect. If the claimed defect is verified, Graco will repair or replace free of charge any defective parts. The equipment will be returned to the original purchaser transportation prepaid. If inspection of the equipment does not disclose any defect in material or workmanship, repairs will be made at a reasonable charge, which charges may include the costs of parts, labor, and transportation.

**THIS WARRANTY IS EXCLUSIVE, AND IS IN LIEU OF ANY OTHER WARRANTIES, EXPRESS OR IMPLIED, INCLUDING BUT NOT LIMITED TO WARRANTY OF MERCHANTABILITY OR WARRANTY OF FITNESS FOR A PARTICULAR PURPOSE.**

Graco's sole obligation and buyer's sole remedy for any breach of warranty shall be as set forth above. The buyer agrees that no other remedy (including, but not limited to, incidental or consequential damages for lost profits, lost sales, injury to person or property, or any other incidental or consequential loss) shall be available. Any action for breach of warranty must be brought within two (2) years of the date of sale.

**GRACO MAKES NO WARRANTY, AND DISCLAIMS ALL IMPLIED WARRANTIES OF MERCHANTABILITY AND FITNESS FOR A PARTICULAR PURPOSE, IN CONNECTION WITH ACCESSORIES, EQUIPMENT, MATERIALS OR COMPONENTS SOLD BUT NOT MANUFACTURED BY GRACO.** These items sold, but not manufactured by Graco (such as electric motors, switches, hose, etc.), are subject to the warranty, if any, of their manufacturer. Graco will provide purchaser with reasonable assistance in making any claim for breach of these warranties.

In no event will Graco be liable for indirect, incidental, special or consequential damages resulting from Graco supplying equipment hereunder, or the furnishing, performance, or use of any products or other goods sold hereto, whether due to a breach of contract, breach of warranty, the negligence of Graco, or otherwise.

## **FOR GRACO CANADA CUSTOMERS**

The Parties acknowledge that they have required that the present document, as well as all documents, notices and legal proceedings entered into, given or instituted pursuant hereto or relating directly or indirectly hereto, be drawn up in English. Les parties reconnaissent avoir convenu que la rédaction du présente document sera en Anglais, ainsi que tous documents, avis et procédures judiciaires exécutés, donnés ou intentés, à la suite de ou en rapport, directement ou indirectement, avec les procédures concernées.

# Graco Information

For the latest information about Graco products, visit [www.graco.com](http://www.graco.com).

For patent information, see [www.graco.com/patents](http://www.graco.com/patents).

**TO PLACE AN ORDER**, contact your Graco distributor or call 1-800-690-2894 to identify the nearest distributor.

*All written and visual data contained in this document reflects the latest product information available at the time of publication.  
Graco reserves the right to make changes at any time without notice.*

Original instructions. This manual contains English. MM 3A5929

**Graco Headquarters:** Minneapolis

**International Offices:** Belgium, China, Japan, Korea

**GRACO INC. AND SUBSIDIARIES • P.O. BOX 1441 • MINNEAPOLIS MN 55440-1441 • USA**  
**Copyright 2018, Graco Inc. All Graco manufacturing locations are registered to ISO 9001.**

[www.graco.com](http://www.graco.com)  
Revision D, April 2020