

## LineLazer™ Kit for Adding a Second Mechanical and Automatic Guns

3A3454D

EN

*For the application of line striping materials.*

*For professional use only.*

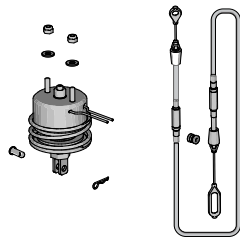
*Not for use in explosive atmospheres.*



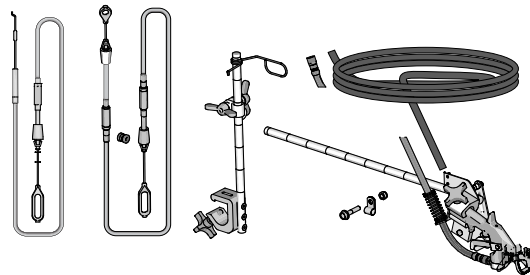
### Important Safety Instructions

Read all warnings and instructions in this manual and in related manuals.  
Be familiar with the controls and the proper usage of the equipment.  
Save these instructions.

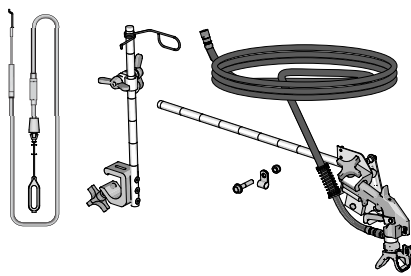
25A490 Second Solenoid with Cable Kit



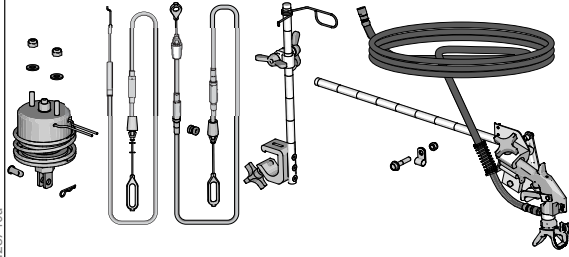
25A492 Second Automatic Gun with Cables



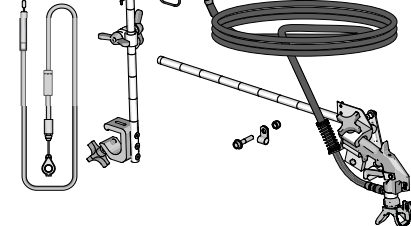
25A491 Second Manual Gun with Cable



25A673 Second Solenoid with Gun and Cables Kit

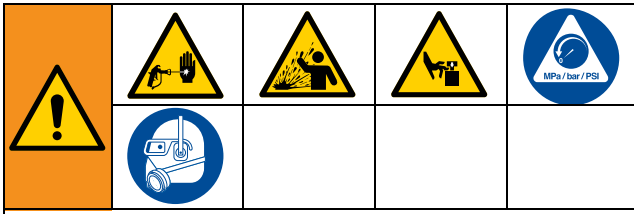


25A676 Second Manual Gun with Cable  
for 130HS



1128740a

# Pressure Relief Procedure



This equipment stays pressurized until pressure is manually relieved. To help prevent serious injury from pressurized fluid, such as skin injection, splashing fluid and moving parts, follow the Pressure Relief Procedure when you stop dispensing and before cleaning, checking, or servicing the equipment.

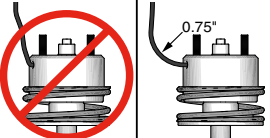
1. Perform **Grounding Procedure** if using flammable materials.
2. Set pump switch to **OFF**. Turn engine **OFF**.
3. Turn pressure control to lowest setting. Trigger all guns to relieve pressure.
4. Engage all gun trigger locks. Turn prime valve down.
5. If you suspect the spray tip or hose is clogged or that pressure has not been fully relieved:
  - a. **VERY SLOWLY** loosen the tip guard retaining nut or the hose end coupling to relieve pressure gradually.
  - b. Loosen the nut or coupling completely.
  - c. Clear the obstruction in the hose or tip.

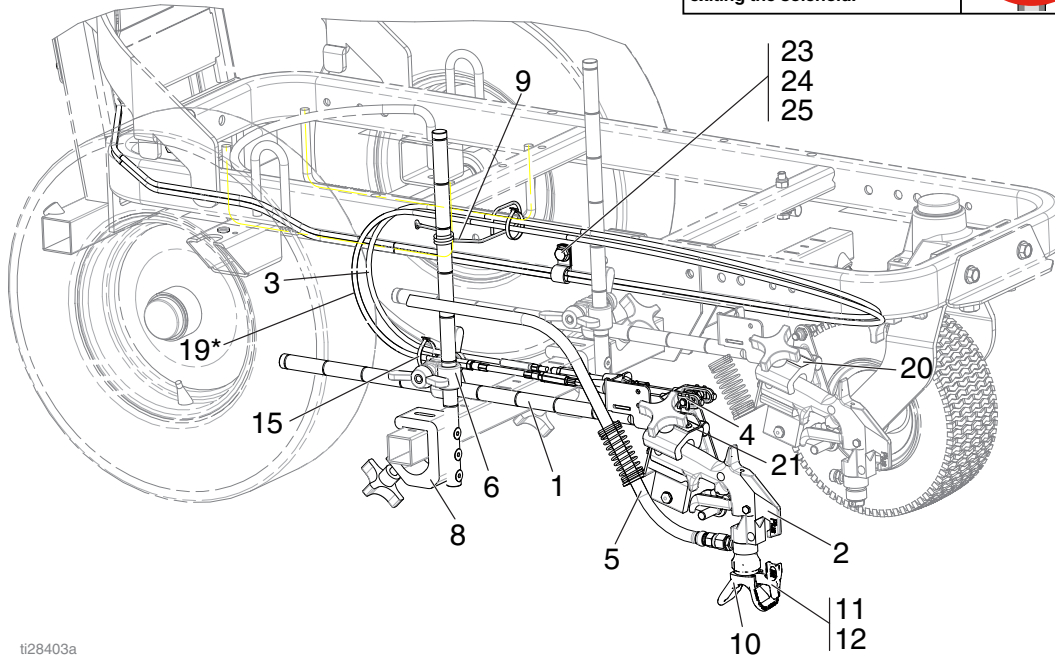
# LineLazer™ V 3900, 5900 & 200HS

- Kit 25A490 - Second Solenoid with Cable Kit
- Kit 25A491 - Second Manual Gun with Cable
- Kit 25A492 - Second Automatic Gun with Cables
- Kit 25A673 - Second Solenoid with Gun and Cables

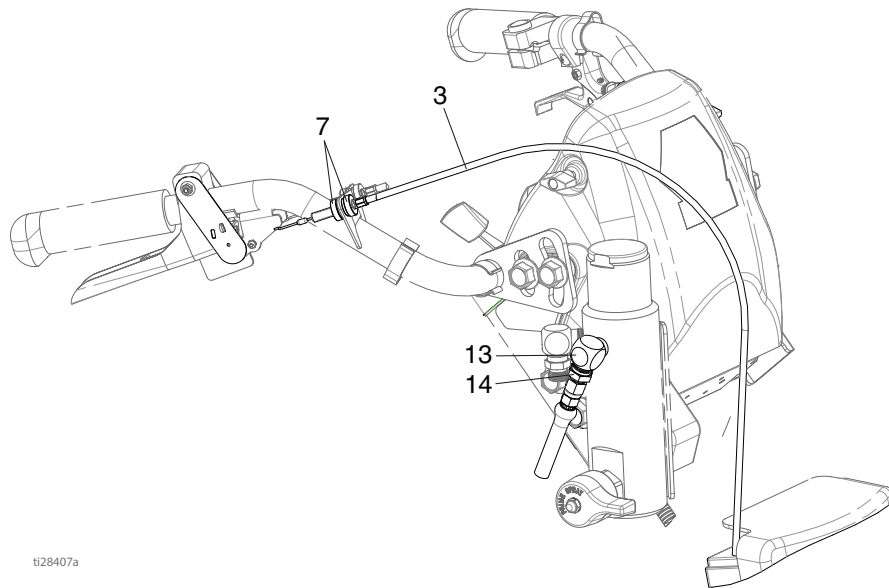
NOTICE

Do not allow the solenoid wires to make a sharp bend as shown. Doing so may lead to wire breakage. Place an approximate 0.75" radius bend in the wires exiting the solenoid.





ti28403a



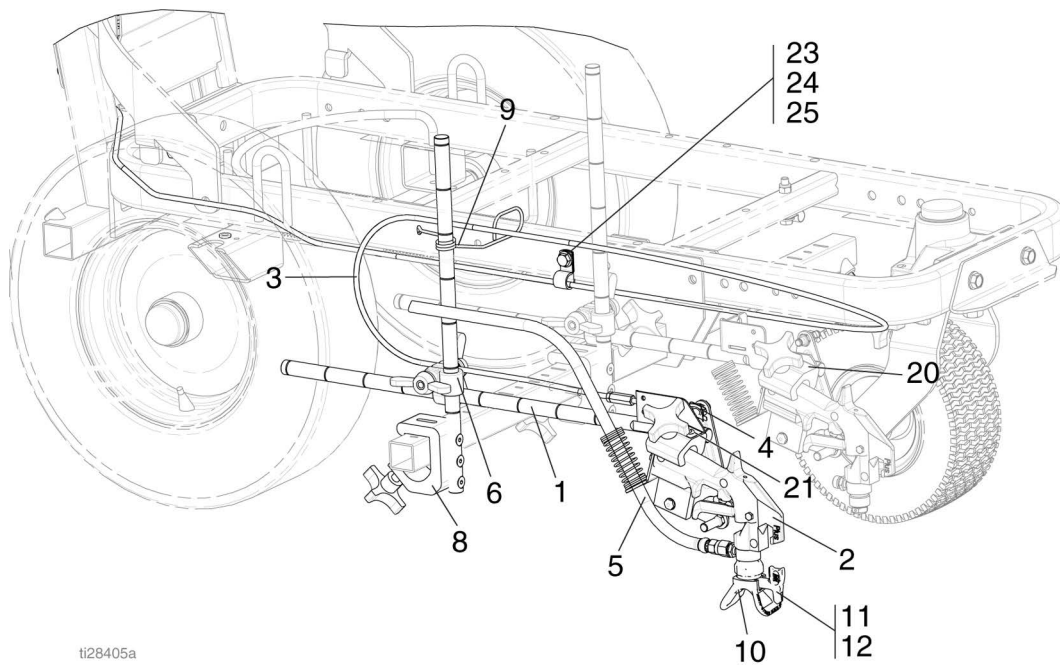
ti28407a

Ref. Part	Description	Qty	Ref. Part	Description	Qty
1	25A237 ARM, gun holder	1	12	LL5321 TIP	1
2	235457 GUN, flex, basic	1	13	196179 FITTING, elbow, street	1
3	25A488 CABLE, gun, manual	1	14	196177 ADAPTER, nipple	1
4	126111 RETAINER, circlip	2	15	17H720 STRAP, tie	6
5	245227 HOSE, cpld, 1/4" x 7'	1	19*	25A487 CABLE, gun, automatic	1
6	24Y645 KIT, clamp, double wing nut	1	20	17C043 LABEL, ID	1
7	15F624 NUT, cable, gun (knurled)	2	21	17C046 LABEL, ID	1
8	17J424 BAR, height adjustment	1	23	112960 SCREW	1
9	188135 GUIDE, cable	1	24	17H721 CLAMP	1
10	243161 GUARD	1	25	111040 NUT	1
11	LL5319 TIP	1			

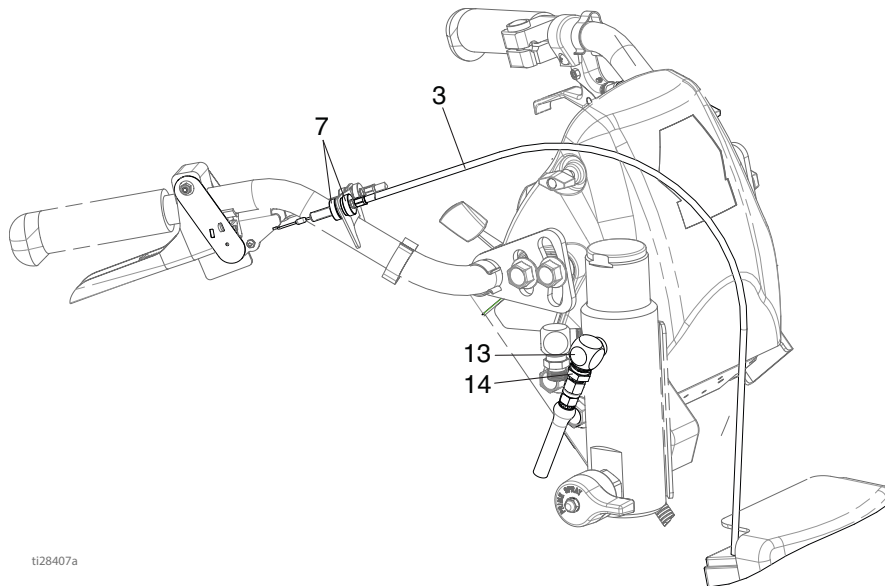
\* Kits 25A490, 25A492 and 25A673 only

# LineLazer™ 130HS

## Kit 25A676 - Second mechanical gun



ti28405a



ti28407a

Ref. Part	Description	Qty	Ref. Part	Description	Qty
1	287882 BAR, gun, holder	1	11	LL5319 TIP, spray	1
2	235457 GUN, flex, basic	1	12	LL5321 TIP, spray	1
3	287696 CABLE, gun	1	13	196179 FITTING, elbow, street	1
4	126111 RETAINER, CirClip, external, 8mm	1	14	196177 ADAPTER, nipple	1
5	245227 HOSE, cpld, 1/4" x 7'	1	15	17H720 STRAP, tie	6
6	24Y645 KIT, clamp, double wing nut	1	20	17C043 LABEL	1
7	15F624 NUT, cable, gun (knurled)	2	21	17C046 LABEL	1
8	17J424 BAR, height adjustment, assy	1	23	112960 SCREW	1
9	188135 CABLE, guide	1	24	17H721 CLAMP	1
10	243161 GUARD	1	25	111040 NUT	1



*All written and visual data contained in this document reflects the latest product information available at the time of publication.  
Graco reserves the right to make changes at any time without notice.*

Original instructions. This manual contains English. MM 3A3454

**Graco Headquarters:** Minneapolis

**International Offices:** Belgium, China, Japan, Korea

**GRACO INC. AND SUBSIDIARIES • P.O. BOX 1441 • MINNEAPOLIS MN 55440-1441 • USA**  
**Copyright 2016, Graco Inc. All Graco manufacturing locations are registered to ISO 9001.**

[www.graco.com](http://www.graco.com)

Revision D, October 2022