

## CE Kit for RoadLazer™ RoadPak™ Line Striping System

3A1658C

EN



### Important Safety Instructions

For complete warnings and safety instructions, see RoadLazer™ RoadPak™ Line Striping System manual. Save these instructions.

## Models

Ref.	Model Number	Description
1	24G624	1 Pump RoadPak
2	24G625	2 Pump RoadPak
3	24G626	Single Hitch Mounting Frame
4	24G627	RoadPak Slide in Mounting Frame
5	24G628	1 Pump RoadPak Gun Arm
6	24G629	2 Pump RoadPak Gun Arm
7	24G630	Gun Arm Beam
8	24G632	RoadLazer/RoadPak Control
9	24G633	Road View Camera System
10	24G634	RoadPak Pointer System

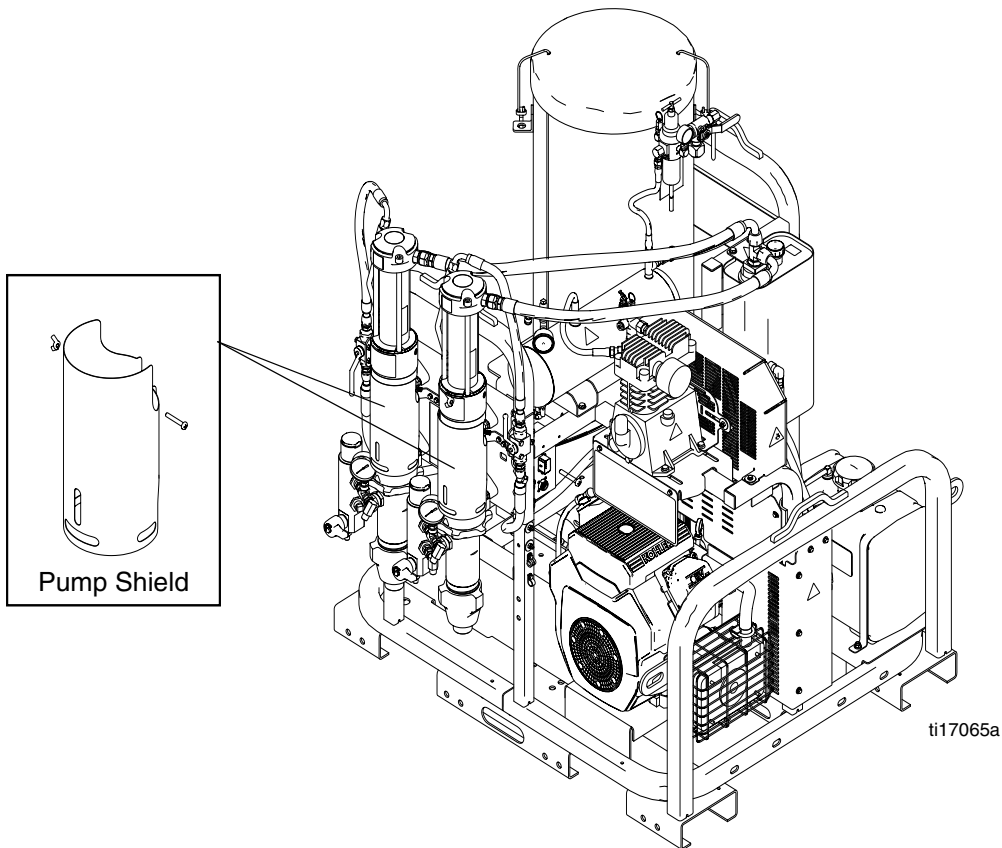
## Complete Assemblies

Part Number	Description
24G677	RoadPak System Option 1 (1, 3, 5, 7, 8, 10)
24G679	RoadPak System Option 2 (1, 3, 5, 7, 8, 9, 10)
24G681	RoadPak System Option 3 (1, 4, 5, 7, 8, 10)
24G683	RoadPak System Option 4 (1, 4, 5, 7, 8, 9, 10)
24G685	RoadPak System Option 5 (2, 3, 6, 7, 8, 10)
24G687	RoadPak System Option 6 (2, 3, 6, 7, 8, 9, 10)
24G689	RoadPak System Option 7 (2, 4, 6, 7, 8, 10)
24G691	RoadPak System Option 8 (2, 4, 6, 7, 8, 9, 10)

To comply with CE directives, the hydraulic pump shield must be installed.

## Installation of Pump Shield

1. Install pump shield into pump.
2. Use provided fasteners to secure in place.



*All written and visual data contained in this document reflects the latest product information available at the time of publication. Graco reserves the right to make changes at any time without notice.*

*For patent information, see [www.graco.com/patents](http://www.graco.com/patents).*

Original instructions. This manual contains English. MM 3A1658

**Graco Headquarters:** Minneapolis  
**International Offices:** Belgium, China, Japan, Korea

**GRACO INC. AND SUBSIDIARIES • P.O. BOX 1441 • MINNEAPOLIS MN 55440-1441 • USA**  
Copyright 2011, Graco Inc. All Graco manufacturing locations are registered to ISO 9001.

[www.graco.com](http://www.graco.com)  
Revised September 2012